

Milano Kitchen Faucet

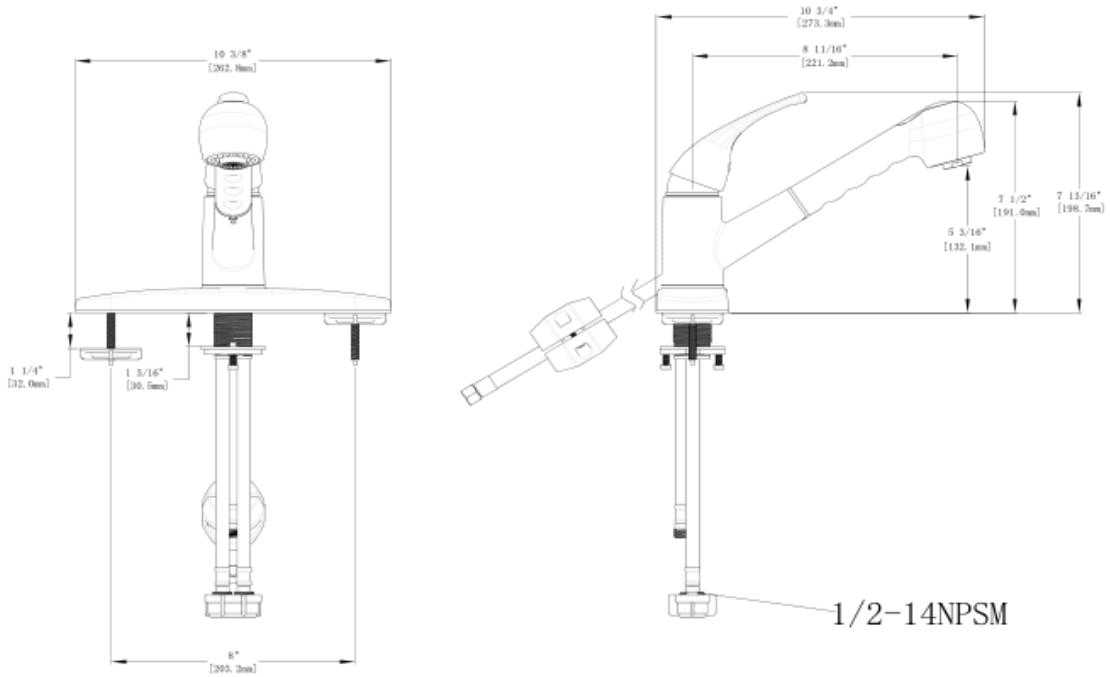


Specifications

Flow Rate (GPM)	1.8 GPM @ 60 psi
Material Content	AB1953 platform hybrid body with zinc handle
Cartridge	Ball cartridge
Lever Handle Operation	(1/4) quarter turn stop
Spout Reach	8-11/16"
Spout Height	5-3/16"
Mounting Holes	1 or 3
Max Deck Thickness	1-1/4"



Dimensions



Warranty & Compliances

Warranty	Lifetime Limited Warranty
IAPMO/UPC	UPC & cUPC Compliant
ASME	ASME A112.18.1/CSA B125.1
ANSI	Compliant
ADA	Compliant
NSF	Compliant
Lead Free	Fed. P.L. 111-380 (1/2014)
Watersense	Compliant



Order Codes & Finishes/Colors

Polished Chrome	545889	
Satin Nickel (US15)	545871	
Oil Rubbed Bronze(US10B)	545897	

Type:

Job:

Order Code:

Approvals:

Design House reserves the right to make changes in materials, specifications & models at any time. Design House also reserves the right to discontinue product without notice or obligation.