

# Hathaway 4" cc Two Handle Lavatory Faucet

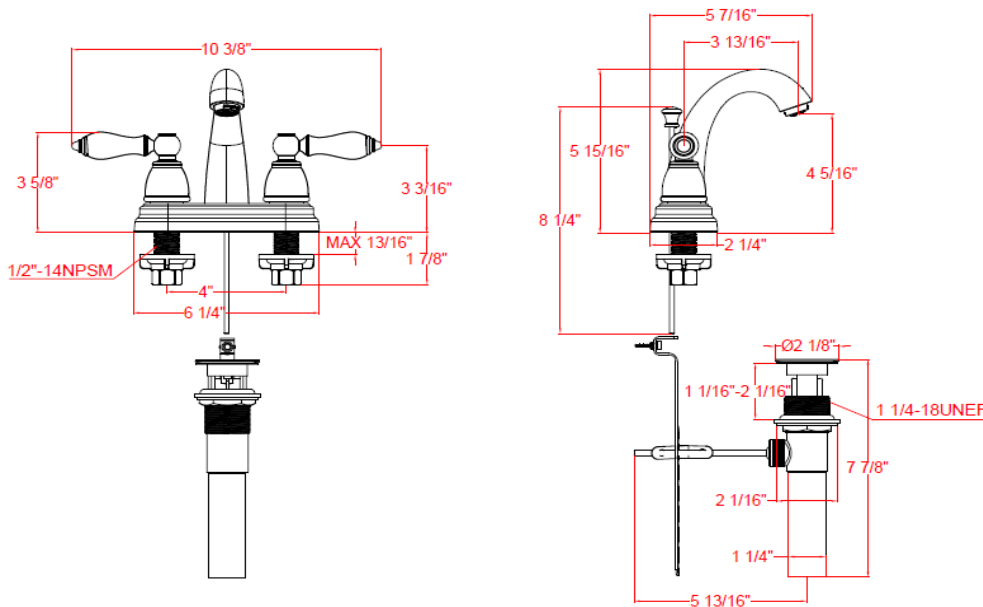


## Specifications

<b>Handle</b>	Zinc handle, 1/4 quarter turn stop
<b>Spout</b>	Brass
<b>Cartridge</b>	Ceramic cartridge
<b>Pop-Up</b>	Metal Pop-up
<b>Waterway</b>	Brass
<b>Spout Reach</b>	3-13/16"
<b>Spout Height</b>	5-15/16"
<b>Mounting Holes</b>	3
<b>Mounting Center</b>	4"
<b>Max Deck Thickness</b>	1-7/8"
<b>Max Waterflow (GPM)</b>	1.5 GPM @ 60 PSI



## Dimensions



## Warranty & Compliances

<b>Warranty</b>	Lifetime Limited Warranty; Lifetime Finish Warranty
<b>IAPMO/UPC</b>	CUPC compliant
<b>ASME</b>	ASME A112.18.1/ CSA B125.1
<b>NSF/ANSI</b>	NSF/ANSI 61
<b>Lead Free</b>	Fed. P.L. 111-380 (1/2014); AB1953
<b>WaterSense®</b>	Compliance with EPA WaterSense® High Efficiency Lavatory Faucet Specification
<b>ADA</b>	Compliant



NSF / ANSI 61



## Order Codes & Finishes/Colors

<b>Oil Rubbed Bronze</b>	<b>545657</b>	
<b>Satin Nickel</b>	<b>545665</b>	
<b>Polished Chrome</b>	<b>545673</b>	

**Type:**

**Job:**

**Order Code:**

**Approvals:**

Design House reserves the right to make changes in materials, specifications & models at any time. Design House also reserves the right to discontinue product without notice or obligation.