

# Hathaway Single Handle Tub and Shower Faucet

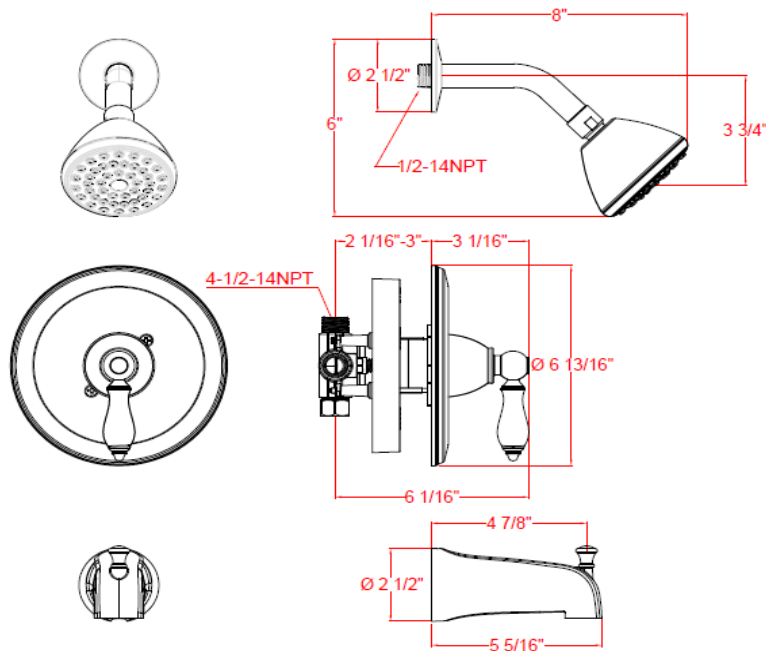


## Specifications

<b>Handle</b>	Zinc handle, 1/4 quarter turn stop
<b>Tub Spout</b>	Slip fit zinc tub spout
<b>Escutcheon</b>	Stainless Steel material, with Laser H&C letters (CP, SN); Brass (ORB)
<b>Cartridge</b>	Ceramic cartridge
<b>Valve kit</b>	Pressure Balance valve with Rotational Limit Stop
<b>Waterway</b>	Brass
<b>Shower head</b>	Single function ABS showerhead
<b>Shower arm</b>	201 stainless (CP, SN); Brass (ORB)
<b>Max Waterflow (GPM)</b>	2.0 GPM@ 80 PSI



## Dimensions



## Warranty & Compliances

<b>Warranty</b>	Lifetime Limited Warranty, Lifetime Limited Finish Warranty
<b>IAPMO/UPC</b>	CUPC compliant
<b>ASME</b>	ASME A112.18.1/ CSA B125.1
<b>ASSE</b>	1016 standard (Pressure Balance Valve)
<b>WaterSense®</b>	Compliance with EPA WaterSense® High Efficiency Lavatory Faucet Specification
<b>ADA</b>	Compliant



## Order Codes & Finishes/Colors

<b>Oil Rubbed Bronze (US10B)</b>	<b>545624</b>	
<b>Satin Nickel (US15)</b>	<b>545632</b>	
<b>Polished Chrome</b>	<b>545640</b>	

**Type:**

**Job:**

**Order Code:**

**Approvals:**

Design House reserves the right to make changes in materials, specifications & models at any time. Design House also reserves the right to discontinue product without notice or obligation.