

Hathaway Single Handle Tub and Shower Faucet

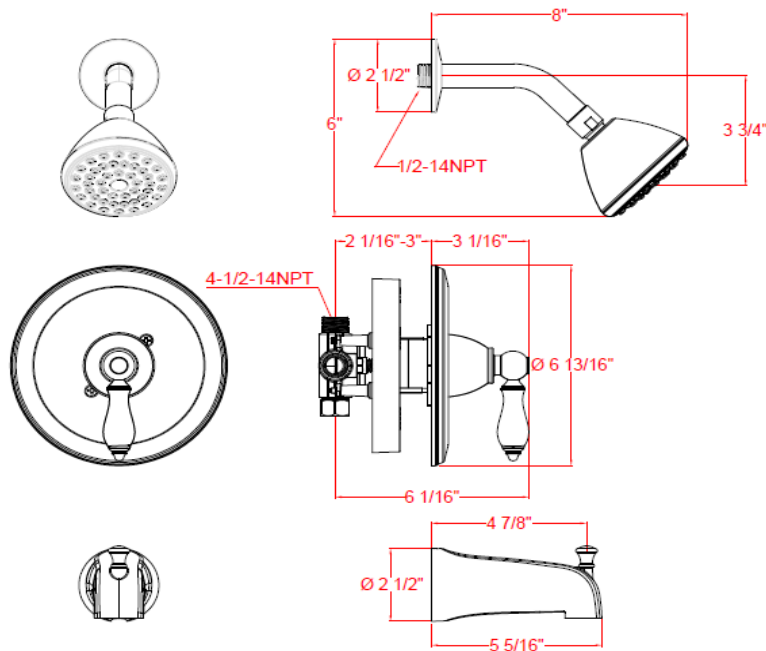


Specifications

Handle	Zinc handle, 1/4 quarter turn stop
Tub Spout	Slip fit zinc tub spout
Escutcheon	Stainless Steel material, with Laser H&C letters (CP, SN); Brass (ORB)
Cartridge	Ceramic cartridge
Valve kit	Pressure Balance valve with Rotational Limit Stop
Waterway	Brass
Shower head	Single function ABS showerhead
Shower arm	201 stainless (CP, SN); Brass (ORB)
Max Waterflow (GPM)	2.0 GPM@ 80 PSI



Dimensions



Warranty & Compliances

Warranty	Lifetime Limited Warranty, Lifetime Limited Finish Warranty
IAPMO/UPC	CUPC compliant
ASME	ASME A112.18.1/ CSA B125.1
ASSE	1016 standard (Pressure Balance Valve)
WaterSense®	Compliance with EPA WaterSense® High Efficiency Lavatory Faucet Specification
ADA	Compliant



Order Codes & Finishes/Colors

Oil Rubbed Bronze (US10B)	545624	
Satin Nickel (US15)	545632	
Polished Chrome	545640	

Type:

Job:

Order Code:

Approvals:

Design House reserves the right to make changes in materials, specifications & models at any time. Design House also reserves the right to discontinue product without notice or obligation.