

Claremont 2 Door 2 Drawer Vanity

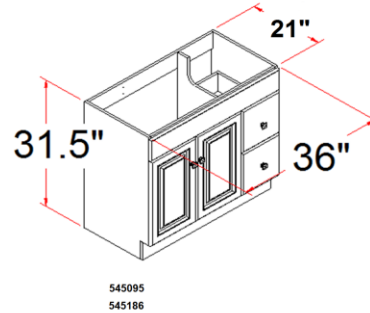
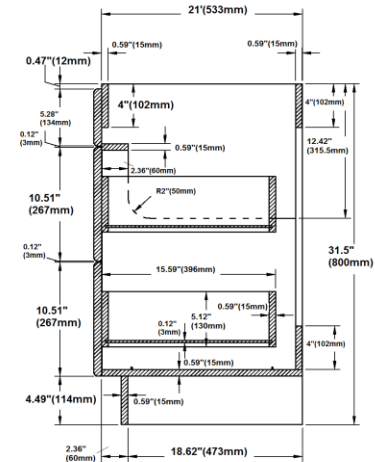
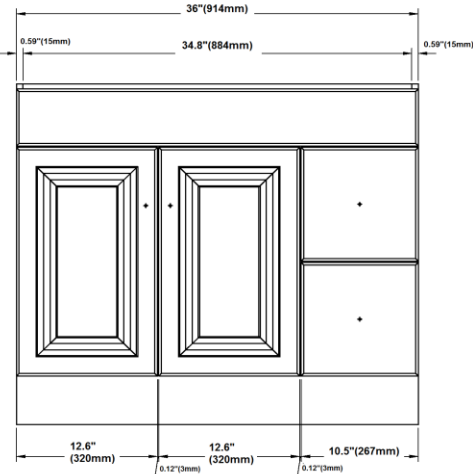
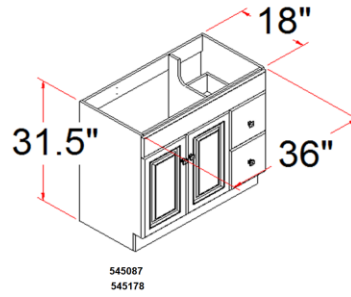
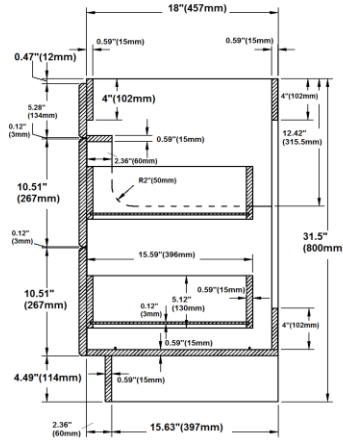
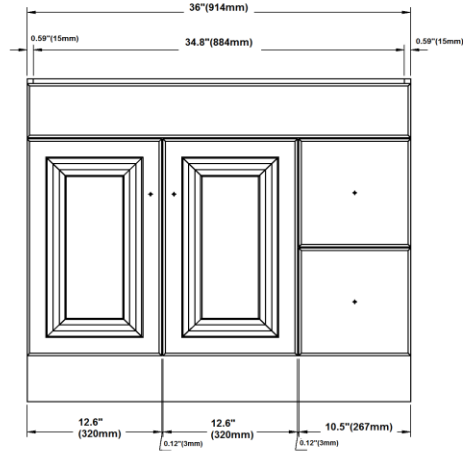


Specifications

- Hony OAK finish with antique brass hardware
 - Cam lock connection, frameless design
 - California 93120 CARB P2 compliant
 - Ready to assembly construction
 - Square raised door
 - Solid North American red oak door frame
 - High quality MDF with real oak veneer door centre, drawer front and fake drawer
 - Particle board with oak melamine inside and outside side panels
 - 2 Door 2 drawer 1 fake drawer design
 - Adjustable and concealable hinge, easy glide drawer glides
 - Antique Brass hardware with TruMatch finish
- Vanity top and faucet sold separately



Dimensions



Warranty & Compliances

- Warranty: Limited 1 year warranty
- California 93120: CARB P2 Compliant



Order Codes & Finishes/Colors

- 36" w x 18" d x 31.5" h: 545178
- 36" w x 21" d x 31.5" h: 545186

Type:
Job:
Order Code:
Approvals: