

# Belmont Wood Filler

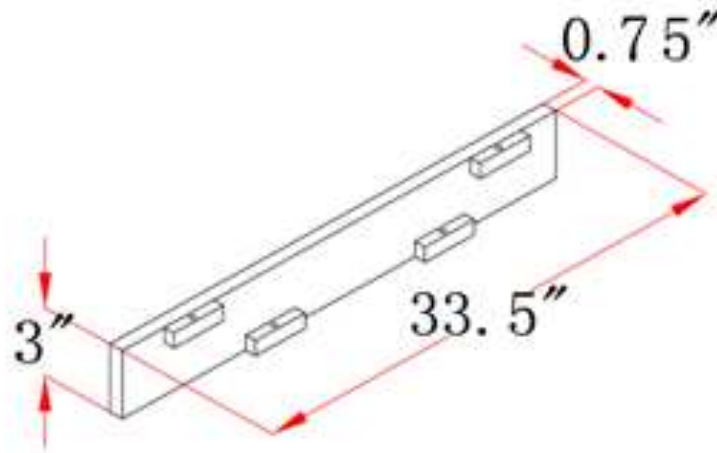


## Specifications

- Solid wood
- Maple finish
- Durable water-resistant finish



## Dimensions



## Warranty & Compliances

**Warranty** Limited 1 year warranty  
**California 93120** Compliant



## Order Codes & Finishes/Colors

**3" w x 0.75" d x 33.5" h** Fully Assembled 545020

Type:
Job:
Order Code:
Approvals:

Design House reserves the right to make changes in materials, specifications & models at any time. Design House also reserves the right to discontinue product without notice or obligation.