

# Belmont Tri-View Medicine Cabinet

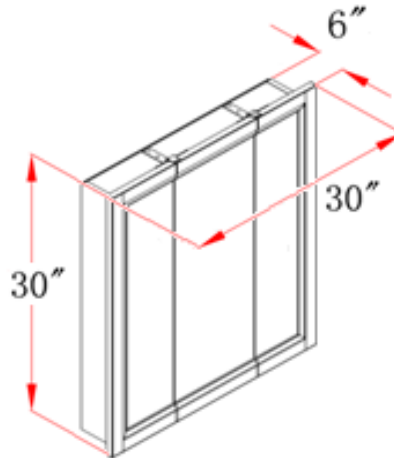


## Specifications

- Maple finish
- Pre-assembled design
- 3 Doors
- 2 Shelves



## Dimensions



## Warranty & Compliances

**Warranty** Limited 1 year warranty  
**California 93120** Compliant



## Order Codes & Finishes/Colors

Fully Assembled

30"w x 6"d x 30"h

541714

Type:  
Job:  
Order Code:  
Approvals:

Design House reserves the right to make changes in materials, specifications & models at any time. Design House also reserves the right to discontinue product without notice or obligation.