

# Ventura One Door Two Drawer Vanity

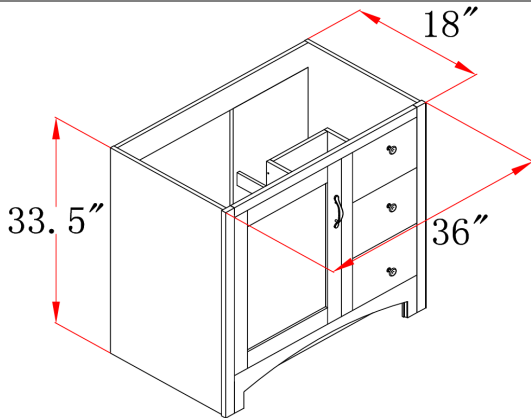


## Specifications

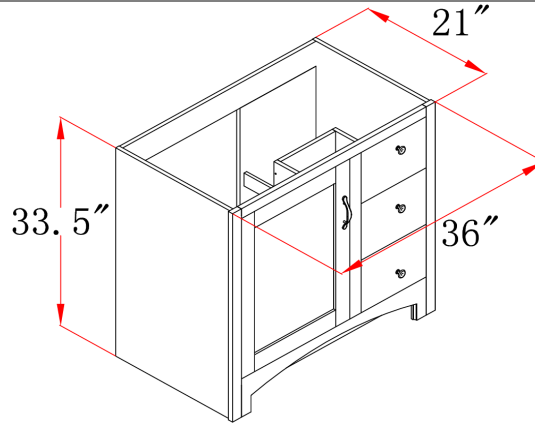
- Flush mounted door design
- Solid wood door frames and drawer fronts
- Full extension ball bearing drawer glides
- Satin nickel hardware with TruMatch™ finish
- Durable water-resistant Espresso finish
- Reversible door can open to the left or right
- Vanity tops sold separately



## Dimensions



541490 / 541425



539619 / 541284

## Warranty & Compliances

**Warranty** Limited 1 year warranty  
**California 93120** Compliant



## Order Codes & Finishes/Colors

	Fully Assembled	Ready to Assemble
36" w x 18" d x 33.5" h	541490	541425
36" w x 21" d x 33.5" h	539619	541284

Type:  
 Job:  
 Order Code:  
 Approvals:

Design House reserves the right to make changes in materials, specifications & models at any time. Design House also reserves the right to discontinue product without notice or obligation.