

# Montclair Tri-View Medicine Cabinet

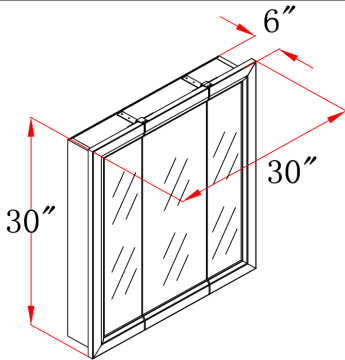


## Specifications

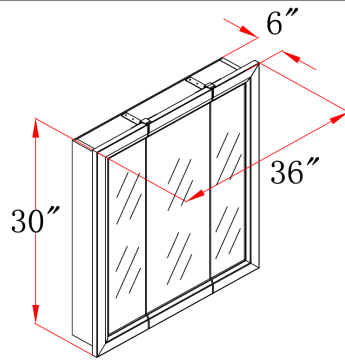
- Solid wood door frame
- Particle board side panels
- Pre-Assembled design
- Chestnut Glaze finish
- 3 doors, 2 shelves



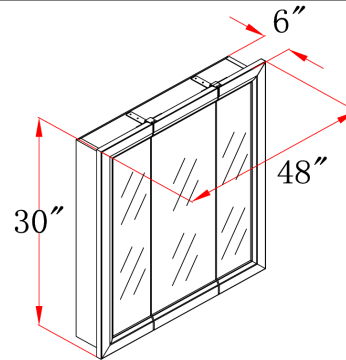
## Dimensions



541391



541409



541417

## Warranty & Compliances

- Warranty: Limited 1 year warranty
- California 93120: Compliant



## Order Codes & Finishes/Colors

### Fully Assembled

- 30" w x 6" d x 30" h: 541391
- 36" w x 6" d x 30" h: 541409
- 48" w x 6" d x 30" h: 541417

|             |
|-------------|
| Type:       |
| Job:        |
| Order Code: |
| Approvals:  |

Design House reserves the right to make changes in materials, specifications & models at any time. Design House also reserves the right to discontinue product without notice or obligation.