

Montclair Tri-View Medicine Cabinet

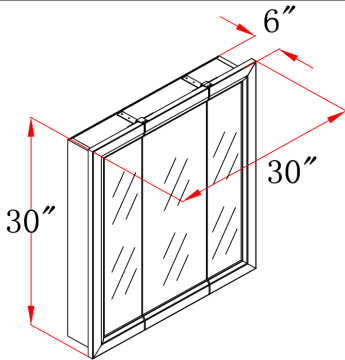


Specifications

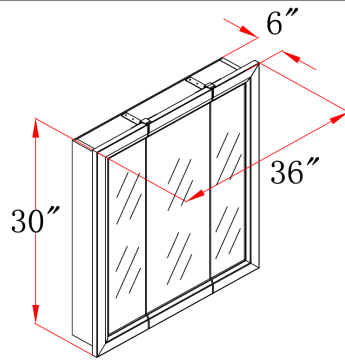
- Solid wood door frame
- Particle board side panels
- Pre-Assembled design
- Chestnut Glaze finish
- 3 doors, 2 shelves



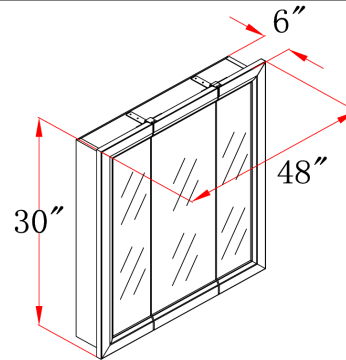
Dimensions



541391



541409



541417

Warranty & Compliances

- Warranty: Limited 1 year warranty
- California 93120: Compliant



Order Codes & Finishes/Colors

Fully Assembled

- 30" w x 6" d x 30" h: 541391
- 36" w x 6" d x 30" h: 541409
- 48" w x 6" d x 30" h: 541417

Type:
Job:
Order Code:
Approvals:

Design House reserves the right to make changes in materials, specifications & models at any time. Design House also reserves the right to discontinue product without notice or obligation.