

Concord Two Door Two Drawer Vanity

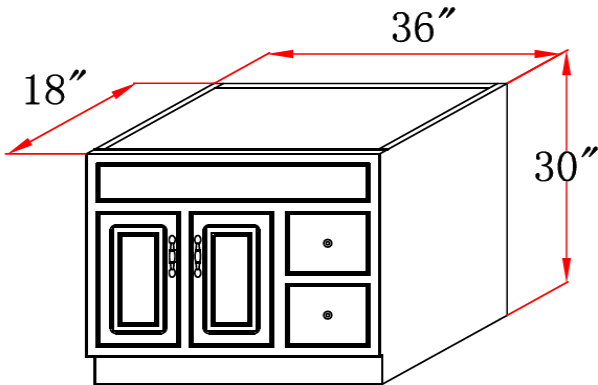


Specifications

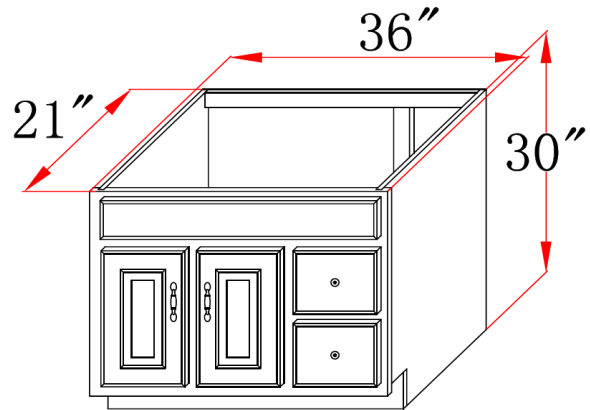
- MDF square panel doors & drawer fronts
- Full frame design
- 1/2" plywood sides
- Center mount ball bearing drawer glide system
- Concealed adjustable hinges
- Satin nickel hardware included
- Cam-lock connectors for fast & easy assembly
- Vanity top sold separately
- Durable White Gloss Finish



Dimensions



531293



541052

Warranty & Compliances

Warranty Limited 1 year warranty
California 93120 Compliant



Order Codes & Finishes/Colors

36" w x 18" d x 30" h 531293
36" w x 21" d x 30" h 541052

Type:
Job:
Order Code:
Approvals:

Design House reserves the right to make changes in materials, specifications & models at any time. Design House also reserves the right to discontinue product without notice or obligation.