

# Montclair Two Door Linen Cabinet

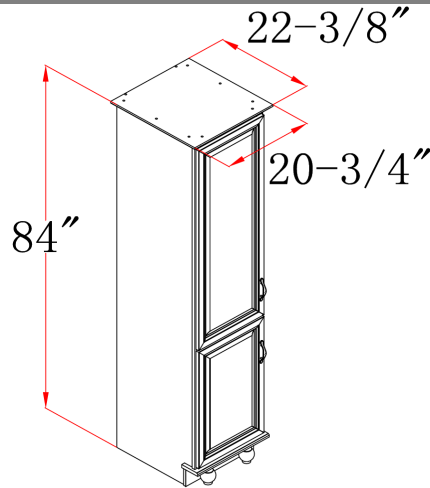


## Specifications

- Solid wood door frames and drawer fronts
- Quality Chestnut Glaze finish highlights the elegant door design
- Oil rubbed bronze hardware with TruMatch™ finish
- Durable water-resistant finish
- Reversible doors can open to the left or right
- Three Adjustable Shelves



## Dimensions



## Warranty & Compliances

**Warranty** Limited 1 year warranty  
**California 93120** Compliant



## Order Codes & Finishes/Colors

	Fully Assembled	Ready to Assemble
20-3/4"w x 22-3/8"d x 84"h	538595	540765

Type:  
Job:  
Order Code:  
Approvals:

Design House reserves the right to make changes in materials, specifications & models at any time. Design House also reserves the right to discontinue product without notice or obligation.