

Montclair Two Door Vanity

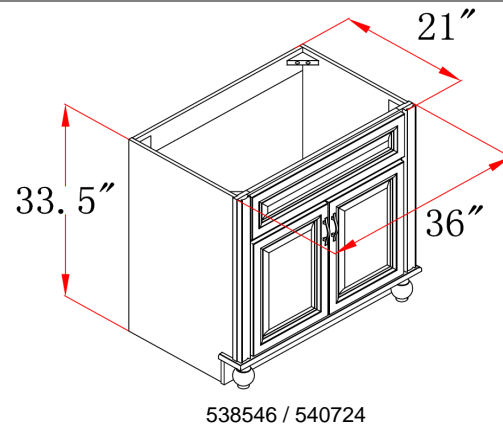
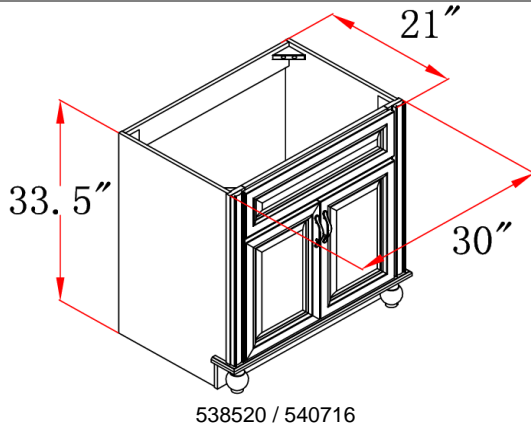


Specifications

- Solid wood door frames and drawer fronts
- Quality Chestnut Glaze finish highlights the elegant door design
- Oil rubbed bronze hardware with TruMatch™ finish
- Durable water-resistant finish
- Vanity top sold separately



Dimensions



Warranty & Compliances

Warranty Limited 1 year warranty
California 93120 Compliant



Order Codes & Finishes/Colors

	Fully Assembled	Ready to Assemble
30"w x 21"d x 33.5"h	538520	540716
36"w x 21"d x 33.5"h	538546	540724

Type:

Job:

Order Code:

Approvals:

Design House reserves the right to make changes in materials, specifications & models at any time. Design House also reserves the right to discontinue product without notice or obligation.