

Montclair One Door, One Drawer Linen Cabinet Base

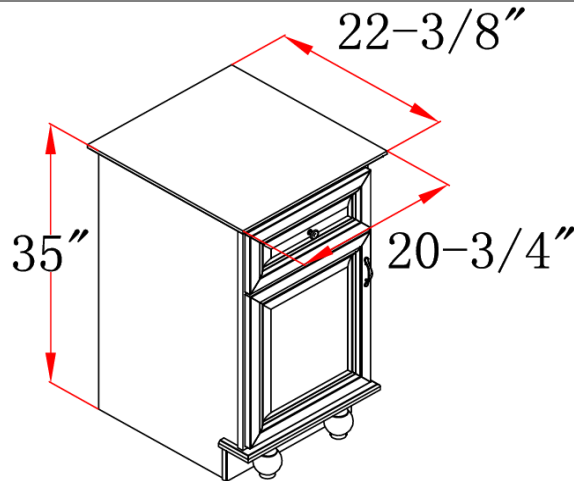


Specifications

- Solid wood door frames and drawer fronts
- Quality Chestnut Glaze finish highlights the elegant door design
- Full extension ball bearing drawer glides
- Oil rubbed bronze hardware with TruMatch™ finish
- Durable water-resistant finish
- Reversible doors can open to the left or right
- One Adjustable Inside Shelf



Dimensions



Warranty & Compliances

Warranty Limited 1 year warranty
California 93120 Compliant



Order Codes & Finishes/Colors

	Fully Assembled	Ready to Assemble
20-3/4" w x 22-3/8" d x 35" h	540872	539965

Type:
Job:
Order Code:
Approvals:

Design House reserves the right to make changes in materials, specifications & models at any time. Design House also reserves the right to discontinue product without notice or obligation.