

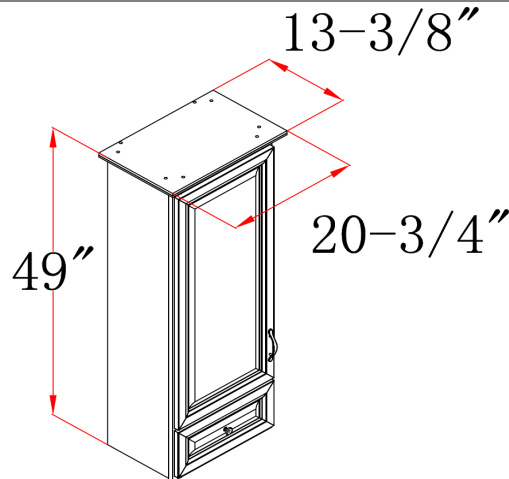
Montclair One Door, One Drawer Linen Cabinet Top

Specifications

- Solid wood door frames and drawer fronts
- Quality Chestnut Glaze finish highlights the elegant door design
- Full extension ball bearing drawer glides
- Oil rubbed bronze hardware with TruMatch™ finish
- Durable water-resistant finish
- Reversible doors can open to the left or right
- Two Adjustable Inside Shelf



Dimensions



Warranty & Compliances

Warranty Limited 1 year warranty
California 93120 Compliant



Order Codes & Finishes/Colors

	Fully Assembled	Ready to Assemble
20-3/4"w x 13-3/8"d x 49"h	540864	539957

Type:
Job:
Order Code:
Approvals: