

# Wyndham Two Door Linen Cabinet

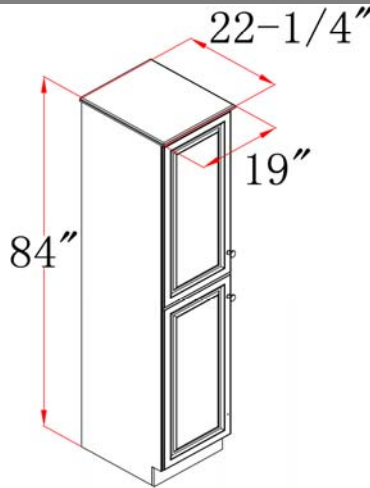


## Specifications

- Cam-lock connectors for fast & easy assembly
- Durable thermofoil, full overlay door design
- 2 doors, 2 adjustable shelves
- Frameless design for increased storage space and accessibility
- Satin Nickel finish hardware
- White Semi-Gloss Finish
- Vanity top sold separately



## Dimensions



## Warranty & Compliances

**Warranty** Limited 1 year warranty  
**California 93120** Compliant



## Order Codes & Finishes/Colors

18"w x 21"d x 84"h

539700

Type:

Job:

Order Code:

Approvals:

Design House reserves the right to make changes in materials, specifications & models at any time. Design House also reserves the right to discontinue product without notice or obligation.