

# Ventura Bank of Drawers

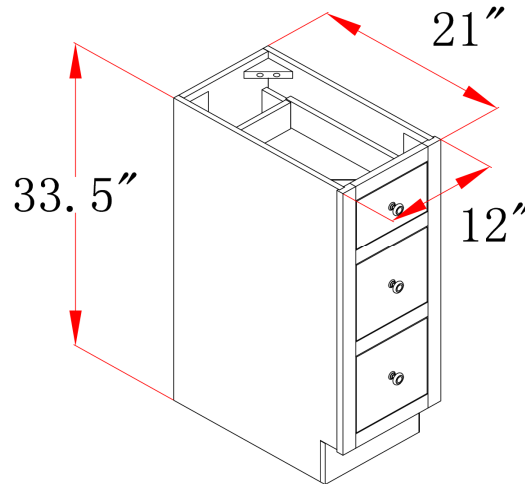


## Specifications

- Solid wood drawer fronts & frame
- Full extension ball bearing drawer glides
- Satin nickel hardware with TruMatch™ finish
- Durable water-resistant finish
- Flush mount door design



## Dimensions



## Warranty & Compliances

**Warranty** Limited 1 year warranty  
**California 93120** Compliant



## Order Codes & Finishes/Colors

Fully Assembled

12"w x 21"d x 33.5"h

539668

Type:

Job:

Order Code:

Approvals:

Design House reserves the right to make changes in materials, specifications & models at any time. Design House also reserves the right to discontinue product without notice or obligation.