

Ventura Two Door Linen Cabinet

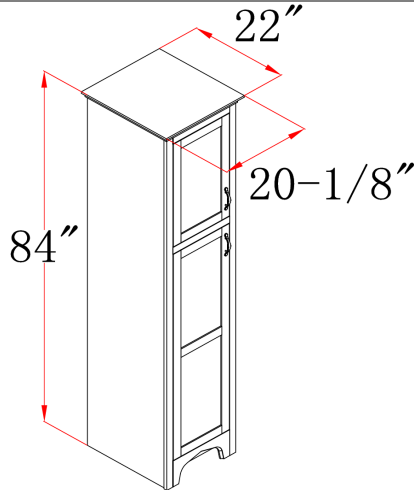


Specifications

- Flush mounted door design
- Solid wood door frames
- Satin nickel hardware with TruMatch™ finish
- Durable water-resistant Espresso finish
- Reversible door can open to the left or right
- 2 adjustable shelves



Dimensions



Warranty & Compliances

Warranty Limited 1 year warranty
California 93120 Compliant



Order Codes & Finishes/Colors

	Fully Assembled	Ready to Assemble
18"w x 21"d x 84"h	539650	541300

Type:
Job:
Order Code:
Approvals:

Design House reserves the right to make changes in materials, specifications & models at any time. Design House also reserves the right to discontinue product without notice or obligation.