

Montclair One Door Bath Cabinet

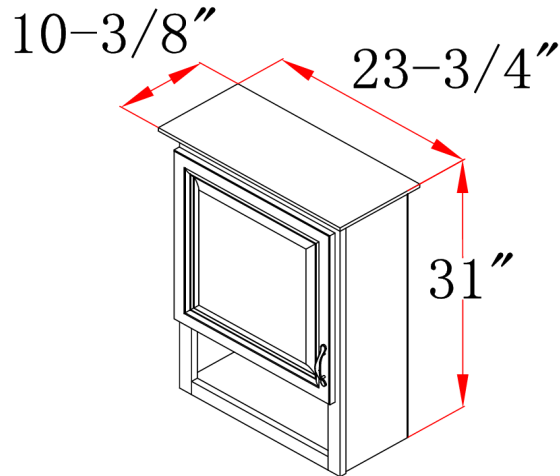


Specifications

- Solid wood door frames and door fronts
- Quality glaze finish highlights the elegant door design
- Oil rubbed bronze hardware with TruMatch™ finish
- Durable water-resistant finish
- One adjustable shelf inside door



Dimensions



Warranty & Compliances

Warranty Limited 1 year warranty
California 93120 Compliant



Order Codes & Finishes/Colors

23-3/4" w x 10-3/8" d x 31" h Fully Assembled 538587

Type:
Job:
Order Code:
Approvals:

Design House reserves the right to make changes in materials, specifications & models at any time. Design House also reserves the right to discontinue product without notice or obligation.