

# Montclair Two Door Vanity

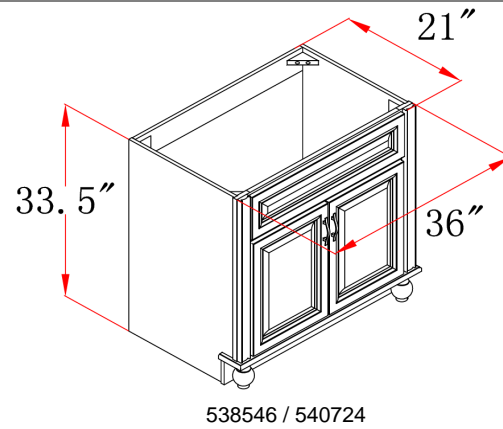
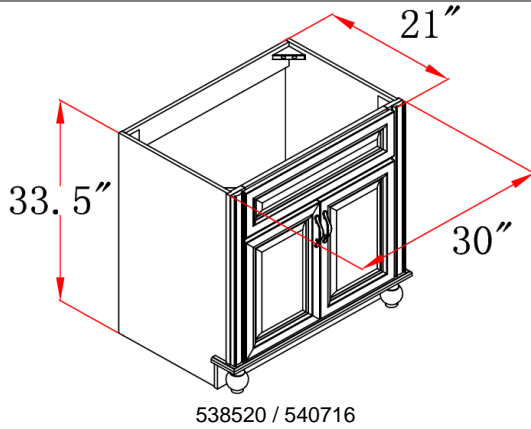


## Specifications

- Solid wood door frames and drawer fronts
- Quality Chestnut Glaze finish highlights the elegant door design
- Oil rubbed bronze hardware with TruMatch™ finish
- Durable water-resistant finish
- Vanity top sold separately



## Dimensions



## Warranty & Compliances

**Warranty** Limited 1 year warranty  
**California 93120** Compliant



## Order Codes & Finishes/Colors

	Fully Assembled	Ready to Assemble
30"w x 21"d x 33.5"h	538520	540716
36"w x 21"d x 33.5"h	538546	540724

**Type:**

**Job:**

**Order Code:**

**Approvals:**

Design House reserves the right to make changes in materials, specifications & models at any time. Design House also reserves the right to discontinue product without notice or obligation.