

Belmont Two Door Linen Cabinet

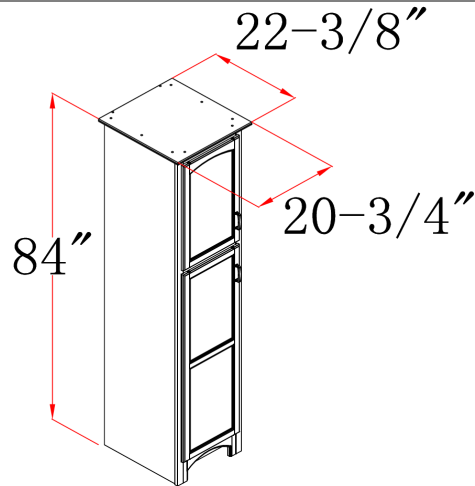


Specifications

- Maple finish with satin nickel hardware
- Decorative cathedral style door
- Solid wood door frames and drawer fronts
- Concealed and adjustable hinges
- Durable water-resistant finish



Dimensions



Warranty & Compliances

Warranty Limited 1 year warranty
California 93120 Compliant



Order Codes & Finishes/Colors

	Fully Assembled	Ready to Assemble
18"w x 21"d x 84"h	538488	540849

Type:
Job:
Order Code:
Approvals:

Design House reserves the right to make changes in materials, specifications & models at any time. Design House also reserves the right to discontinue product without notice or obligation.