

# Tri-View Medicine Cabinet

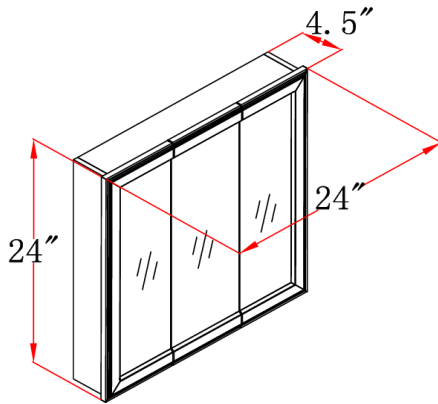


## Specifications

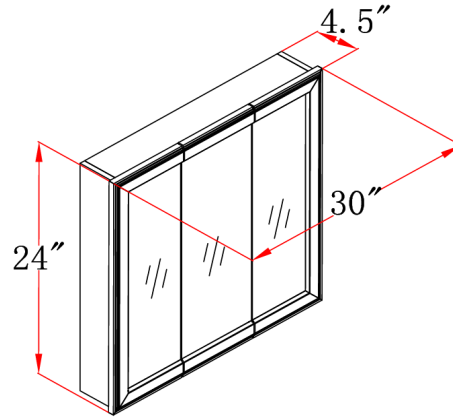
- MDF frame
- White / Oak finish
- Pre-assembled design
- 3 Doors
- 2 Fixed Shelves



## Dimensions



535823 / 535849



535856 / 535864

## Warranty & Compliances

**Warranty** Limited 1 year warranty  
**California 93120** Compliant



## Order Codes & Finishes/Colors

	<i>White</i>	<i>Oak</i>
24" w x 4.5" d x 24" h	535849	535823
30" w x 4.5" d x 24" h	535864	535856

Type:  
Job:  
Order Code:  
Approvals:

Design House reserves the right to make changes in materials, specifications & models at any time. Design House also reserves the right to discontinue product without notice or obligation.