

Tri-View Medicine Cabinet

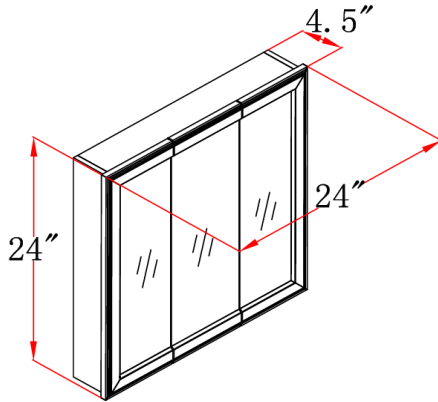


Specifications

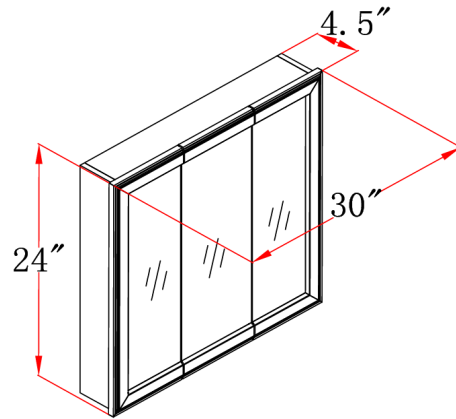
- MDF frame
- White / Oak finish
- Pre-assembled design
- 3 Doors
- 2 Fixed Shelves



Dimensions



535823 / 535849



535856 / 535864

Warranty & Compliances

Warranty Limited 1 year warranty
California 93120 Compliant



Order Codes & Finishes/Colors

	<i>White</i>	<i>Oak</i>
24" w x 4.5" d x 24" h	535849	535823
30" w x 4.5" d x 24" h	535864	535856

Type:
Job:
Order Code:
Approvals:

Design House reserves the right to make changes in materials, specifications & models at any time. Design House also reserves the right to discontinue product without notice or obligation.