

Belmont One Door Two Drawer Vanity

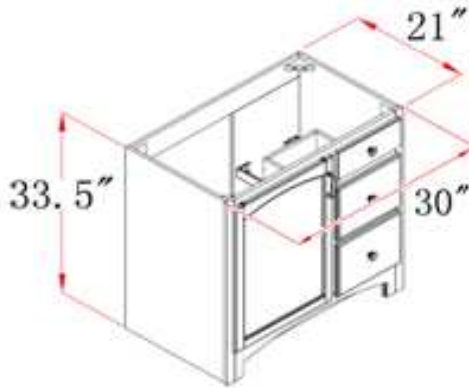


Specifications

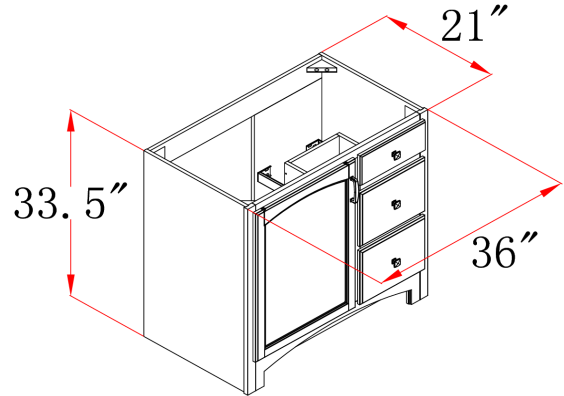
- Maple finish with satin nickel hardware
- Decorative cathedral style door
- Solid wood door frames and drawer fronts
- Full extension ball bearing drawing glides
- Durable water-resistant finish
- Vanity tops sold separately



Dimensions



541706 / 541722



534834 / 540815

Warranty & Compliances

Warranty Limited 1 year warranty
California 93120 Compliant



Order Codes & Finishes/Colors

	Fully Assembled	Ready to Assemble
30" w x 21" d x 33.5" h	541722	541706
36" w x 21" d x 33.5" h	534834	540815

Type:
 Job:
 Order Code:
 Approvals:

Design House reserves the right to make changes in materials, specifications & models at any time. Design House also reserves the right to discontinue product without notice or obligation.