

Claremont Two Door Vanity



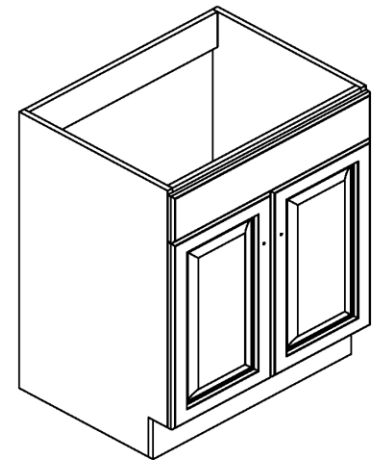
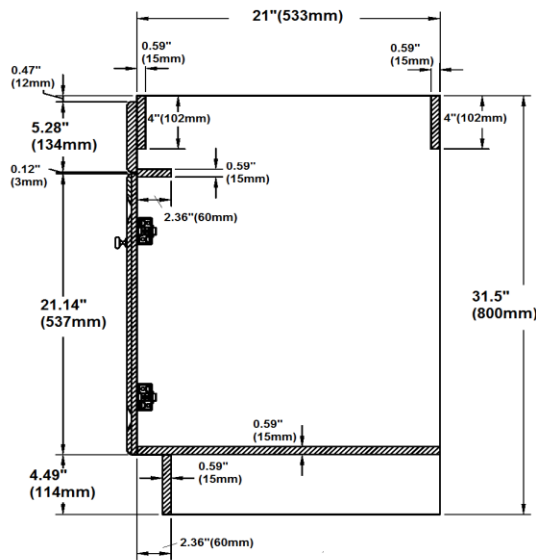
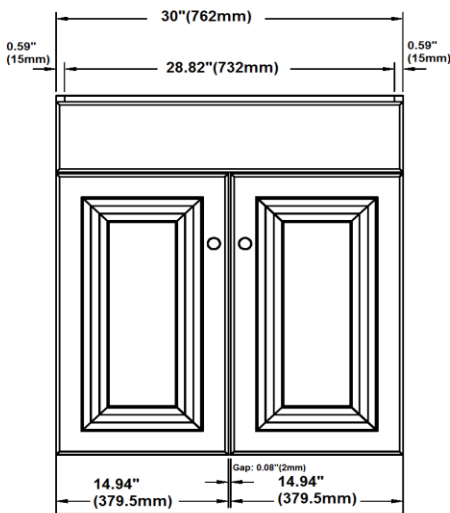
Specifications

- Hony OAK finish with antique brass hardware
- Cam lock connection, frameless design
- California 93120 CARB P2 compliant
- Ready to assembly construction
- Square raised door
- Solid North American red oak door frame
- High quality MDF with real oak veneer door centre and fake drawer
- Particle board with oak melamine inside and outside side panels
- 2 Door 1 fake drawer design
- Adjustable and concealable hinge
- Antique Brass hardware with TruMatch finish

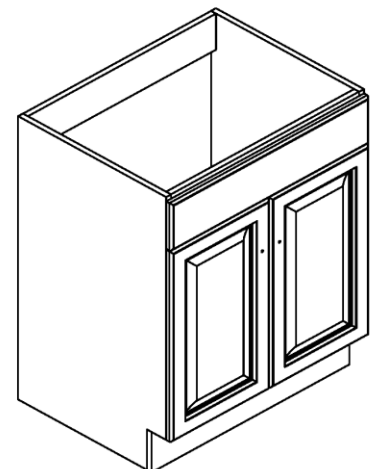
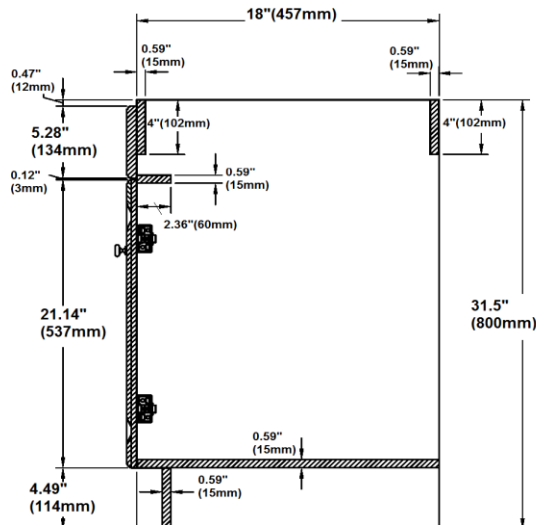
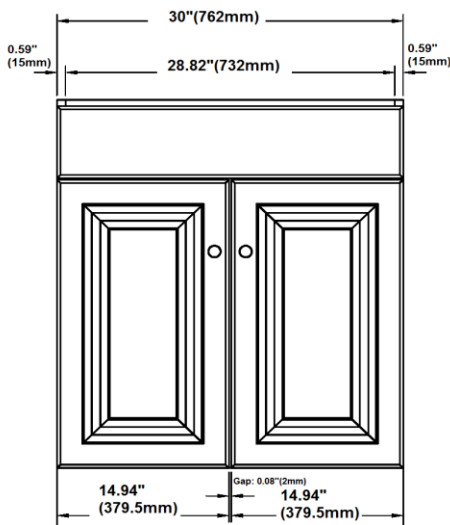


Vanity top and faucet sold separately

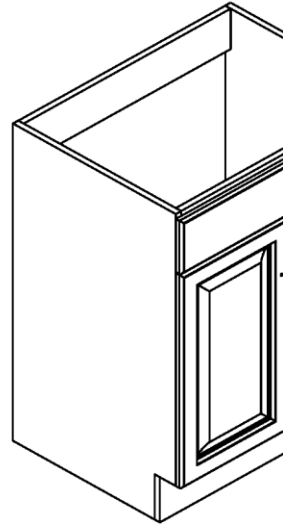
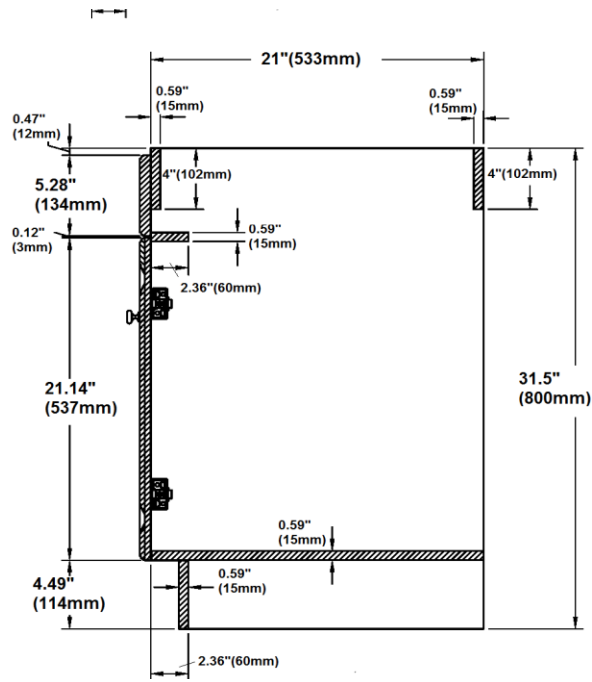
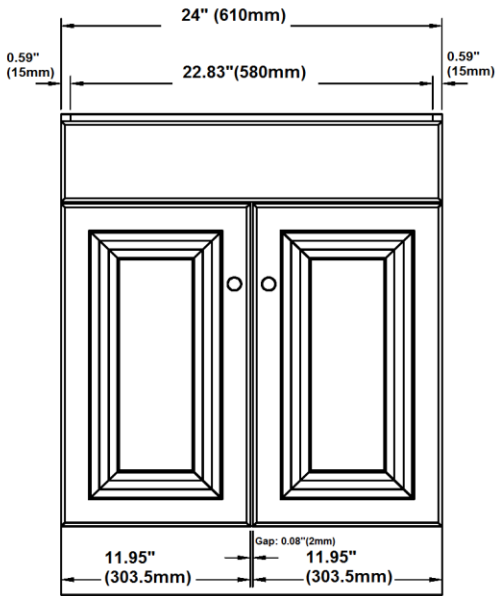
Dimensions



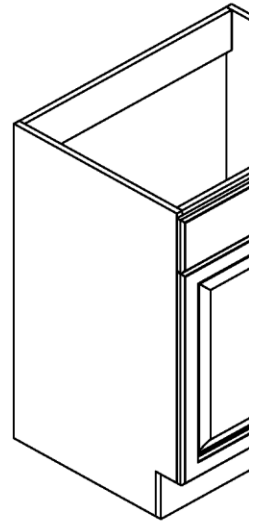
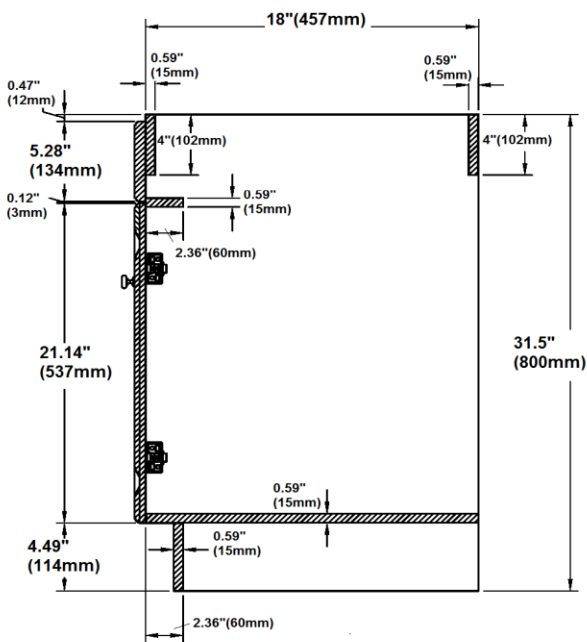
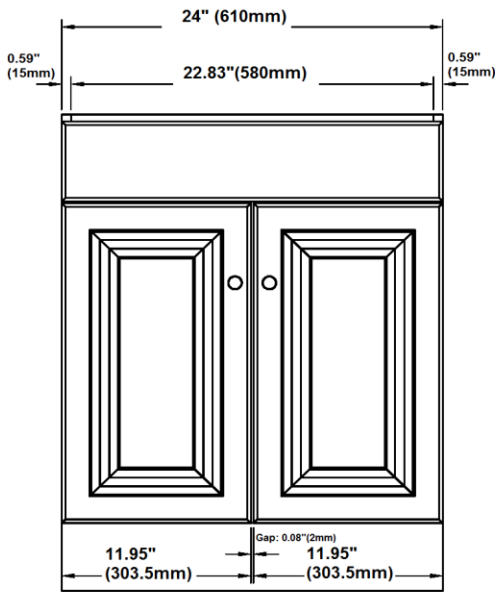
531947: 30"x21"x31.5"
533471: 30" x21" x31.5"



531749: 30"x18"x31.5"
531996: 30" x 18" x31.5"



531939: 24"x;
533190: 24" x



531731: 24"x18"x31.
531988: 24" x 18" x3

Warranty & Compliances

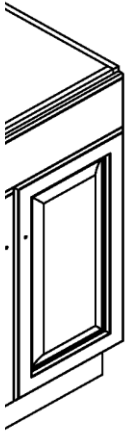
Warranty Limited 1 year warranty
California 93120 Compliant



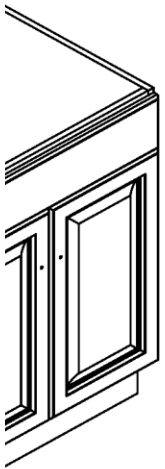
Order Codes & Finishes/Colors

| | |
|-------------------------|--------|
| 30" w x 21" d x 31.5" h | 533471 |
| 30" w x 18" d x 31.5" h | 531996 |
| 24" w x 21" d x 31.5" h | 533190 |
| 24" w x 18" d x 31.5" h | 531988 |

Type:
Job:
Order Code:
Approvals:



21"x31.5"
c 21" x 31.5"



.5"
31.5"