

# Claremont Two Door Vanity



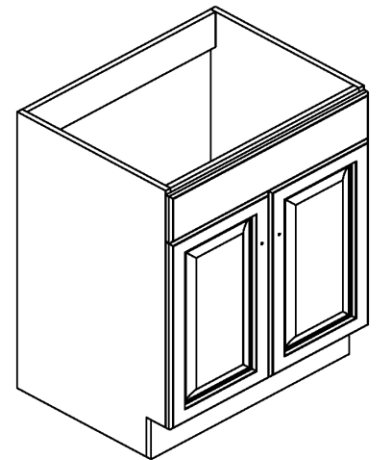
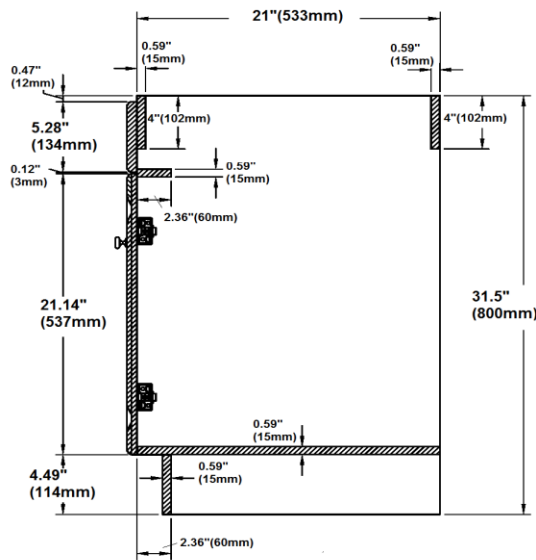
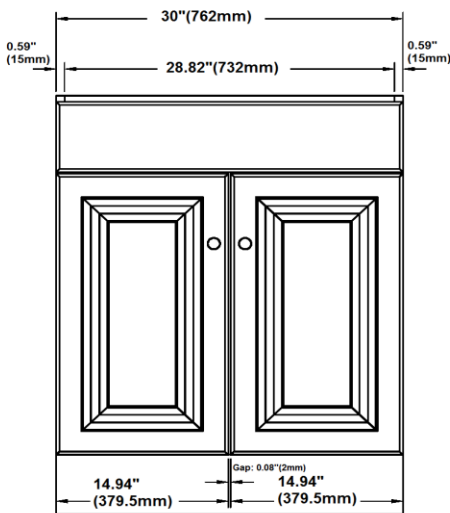
## Specifications

- Hony OAK finish with antique brass hardware
- Cam lock connection, frameless design
- California 93120 CARB P2 compliant
- Ready to assembly construction
- Square raised door
- Solid North American red oak door frame
- High quality MDF with real oak veneer door centre and fake drawer
- Particle board with oak melamine inside and outside side panels
- 2 Door 1 fake drawer design
- Adjustable and concealable hinge
- Antique Brass hardware with TruMatch finish

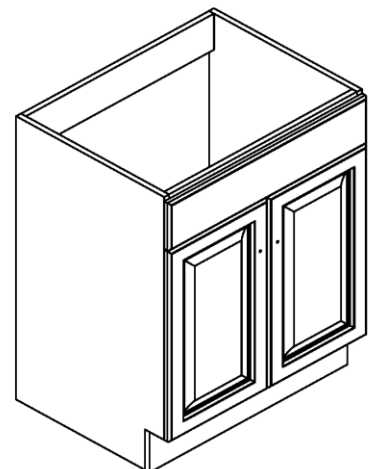
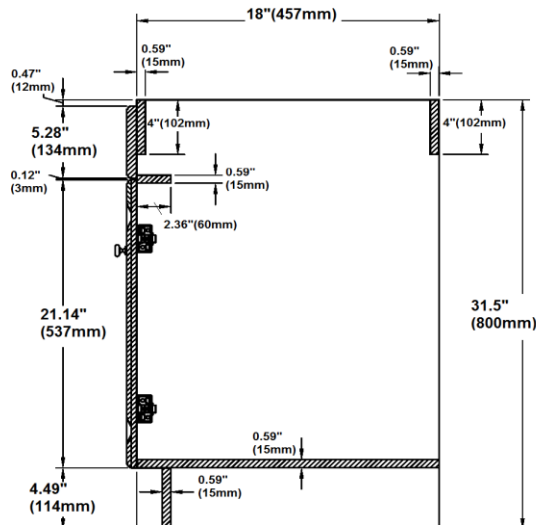
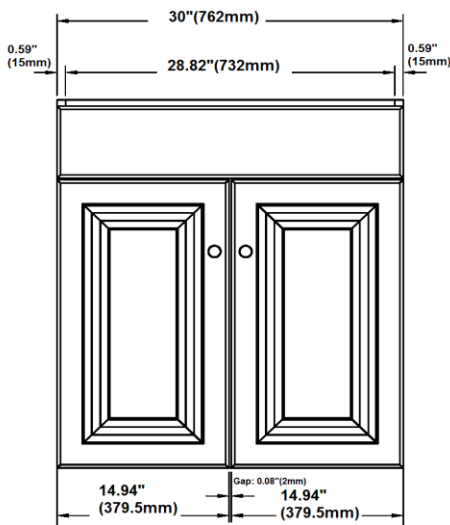


Vanity top and faucet sold separately

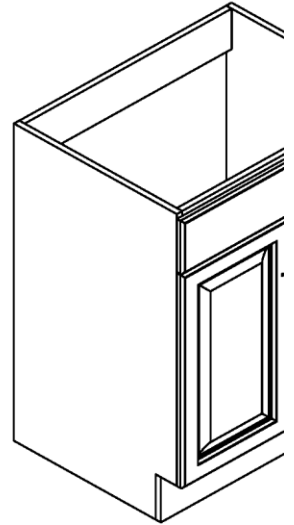
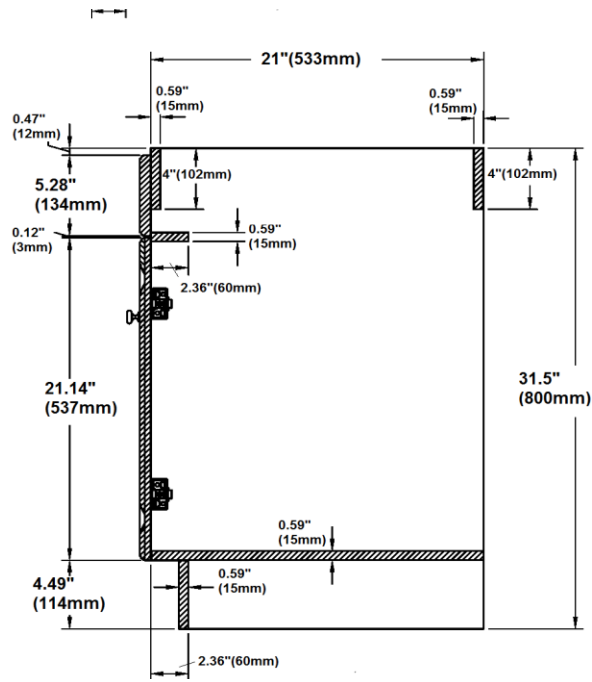
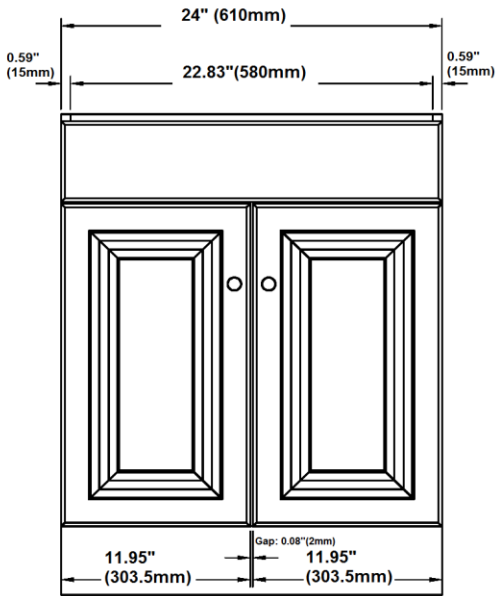
## Dimensions



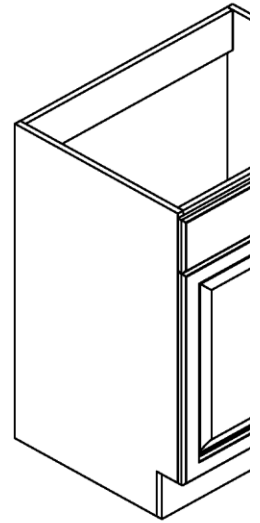
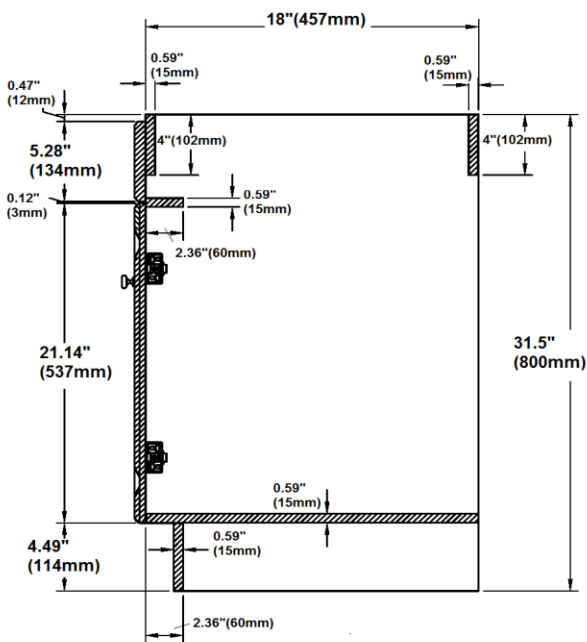
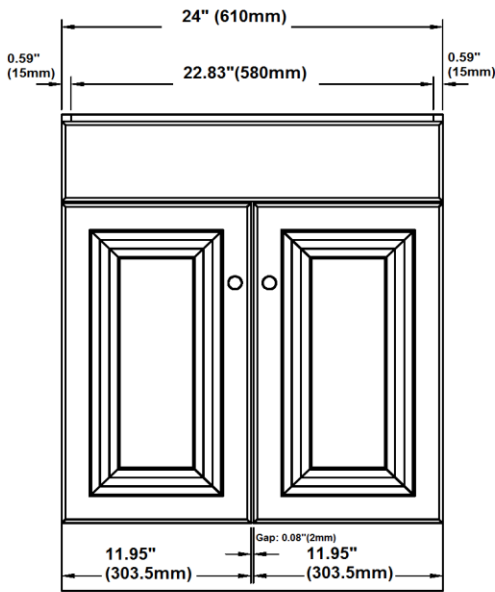
531947: 30"x21"x31.5"  
533471: 30" x21" x31.5"



531749: 30"x18"x31.5"  
531996: 30" x 18" x31.5"



531939: 24"x;  
533190: 24" x



531731: 24"x18"x31.  
531988: 24" x 18" x3

## Warranty & Compliances

**Warranty** Limited 1 year warranty  
**California 93120** Compliant



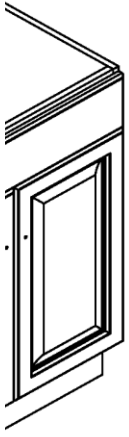
## Order Codes & Finishes/Colors

30" w x 21" d x 31.5" h	533471
30" w x 18" d x 31.5" h	531996
24" w x 21" d x 31.5" h	533190
24" w x 18" d x 31.5" h	531988

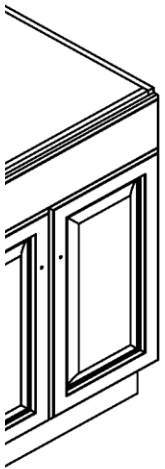
Type:  
Job:  
Order Code:  
Approvals:







21"x31.5"  
c 21" x 31.5"



.5"  
31.5"