

Wyndham Two Door Bath Cabinet



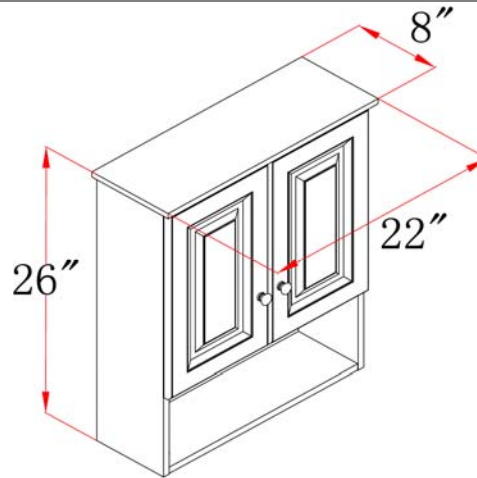
Specifications

- Durable white thermofoil finish with satin nickel hardware
- Cam lock connection, frameless design
- California 93120 CARB P2 compliant
- Ready to assemble construction
- Square raised door
- Durable white thermofoil door
- Particle board with white PVC inside and outside side panels
- 2 Door design
- Adjustable and concealable hinge
- Satin Nickel hardware with TruMatch finish



Vanity top and faucet sold separately

Dimensions



Warranty & Compliances

Warranty Limited 1 year warranty
California 93120 Compliant



Order Codes & Finishes/Colors

21" w x 7" d x 26" h

531715

Type:
Job:
Order Code:
Approvals:

Design House reserves the right to make changes in materials, specifications & models at any time. Design House also reserves the right to discontinue product without notice or obligation.