

# Cottage Two Door Vanity

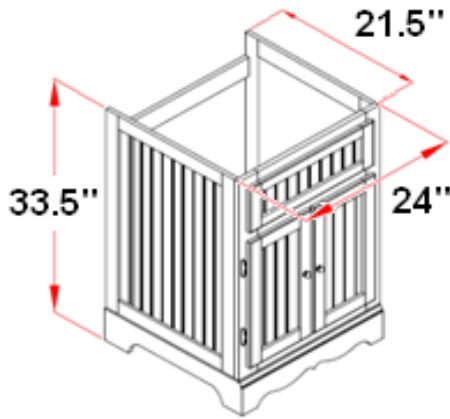


## Specifications

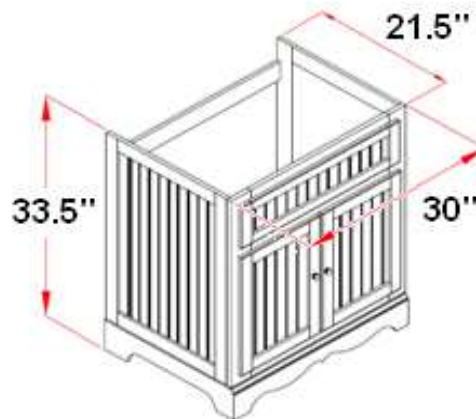
- Square MDF doors with wainscoting plank style panels
- White finish with satin nickel hardware
- Solid hardwood scalloped base
- Exposed hinges
- Vanity top sold separately



## Dimensions



531368



531376

## Warranty & Compliances

**Warranty** Limited 1 year warranty  
**California 93120** Compliant



## Order Codes & Finishes/Colors

24" w x 21.5" d x 33.5" h      531368  
30" w x 21.5" d x 33.5" h      531376

Type:  
Job:  
Order Code:  
Approvals:

Design House reserves the right to make changes in materials, specifications & models at any time. Design House also reserves the right to discontinue product without notice or obligation.