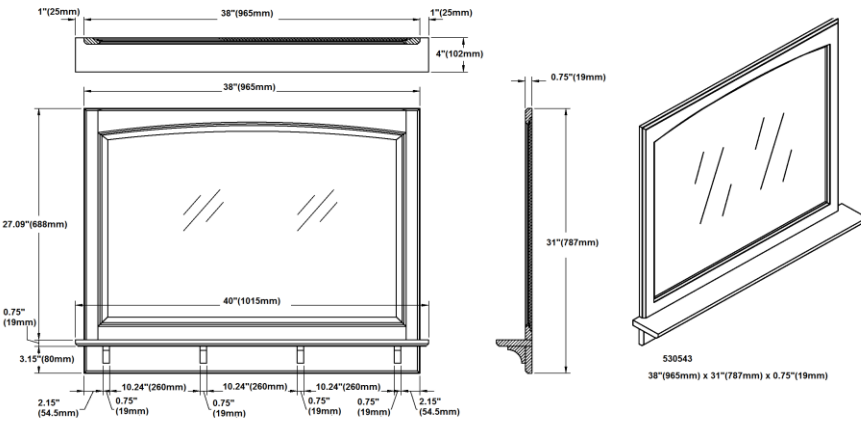
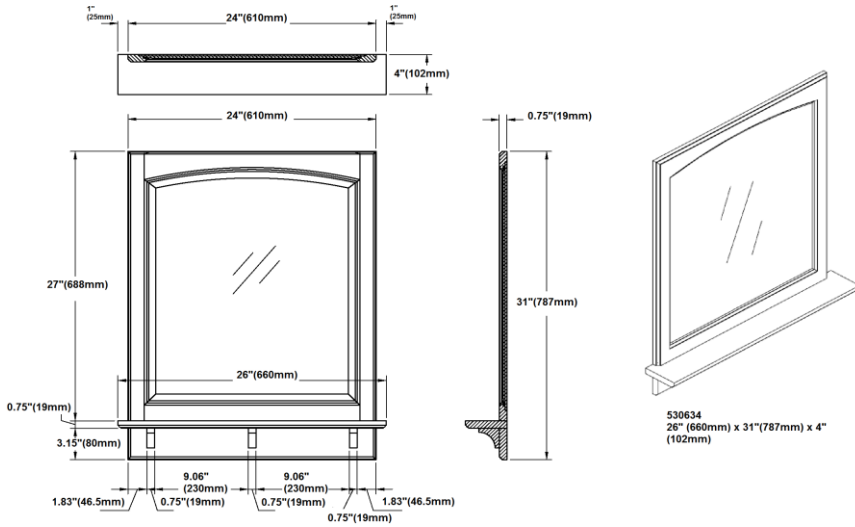


Specifications

- Fully assembled
- Solid oak frame
- 1 opening shelf
- Durable water-resistant finish
- California 93120 compliant



Dimensions



Warranty & Compliances

- Warranty** Limited 1 year warranty
- California 93120** Compliant



Order Codes & Finishes/Colors

- 26" w x 4" d x 31" h 530634
- 38" w x 4" d x 31" h 530543

Type:
Job:
Order Code:
Approvals: