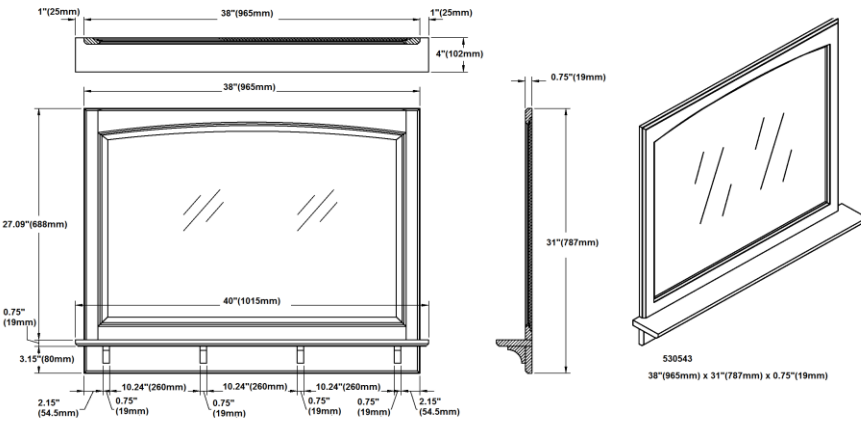
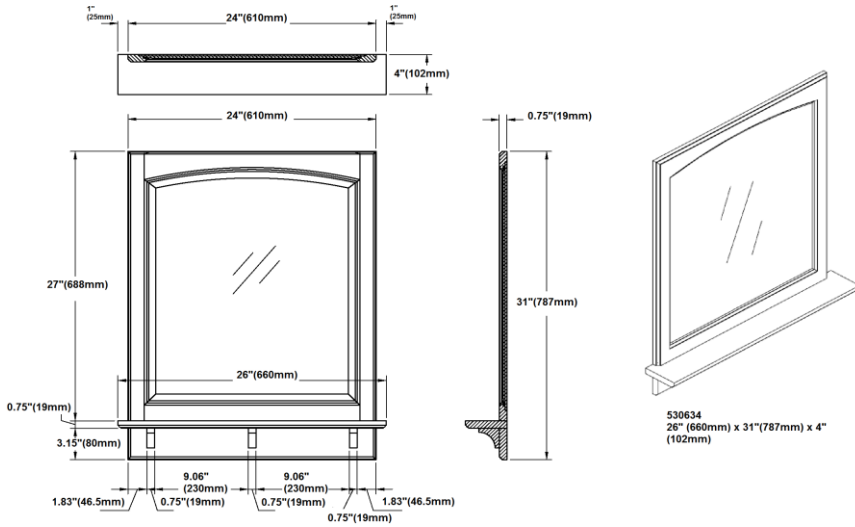


Specifications

- Fully assembled
- Solid oak frame
- 1 opening shelf
- Durable water-resistant finish
- California 93120 compliant



Dimensions



Warranty & Compliances

Warranty Limited 1 year warranty
California 93120 Compliant



Order Codes & Finishes/Colors

26" w x 4" d x 31" h 530634
 38" w x 4" d x 31" h 530543

Type:
 Job:
 Order Code:
 Approvals: