

# Richland Two Door Corner Vanity

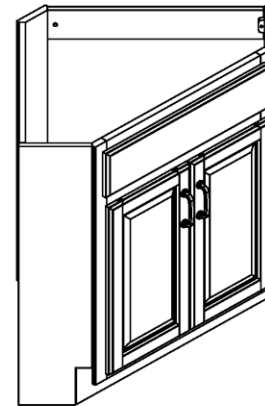
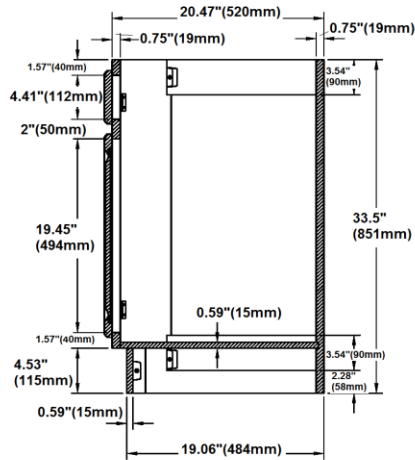
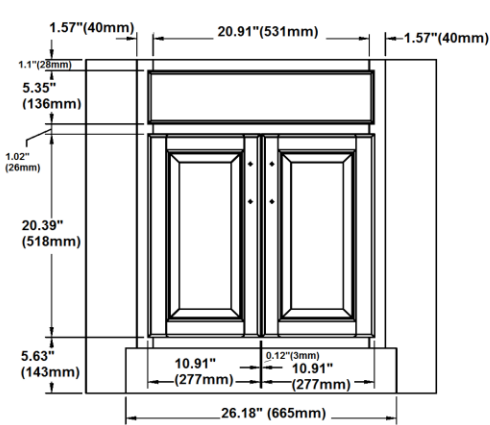


## Specifications

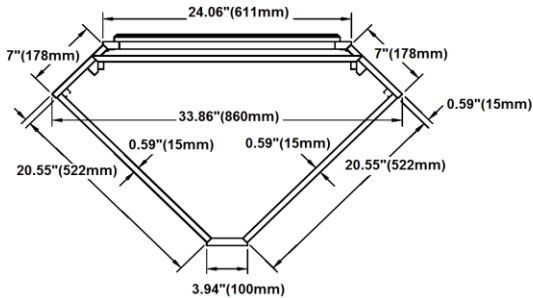
- Cam-lock connectors for fast & easy assembly
- Raised panel door design
- Solid door frames and front frame
- Antique brass hardware with TruMatch™ finish
- Durable water-resistant finish
- Vanity top sold separately



## Dimensions



530527  
26.18" (665mm) x 20.47" (520mm) x 33.5" (851mm)



## Warranty & Compliances

- Warranty: Limited 1 year warranty
- California 93120: Compliant



## Order Codes & Finishes/Colors

24"w x 21.5"d x 33.5"h

530527

Type:
Job:
Order Code:
Approvals: