

Richland Two Door Four Drawer Vanity

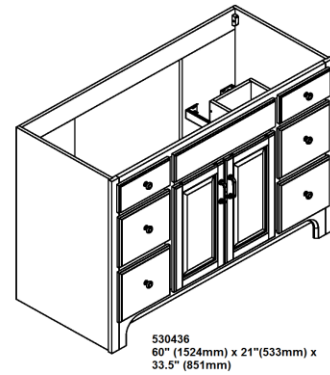
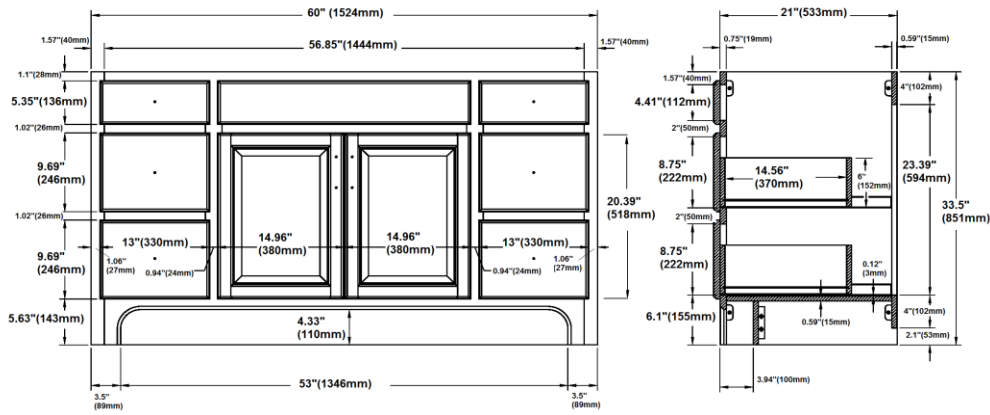
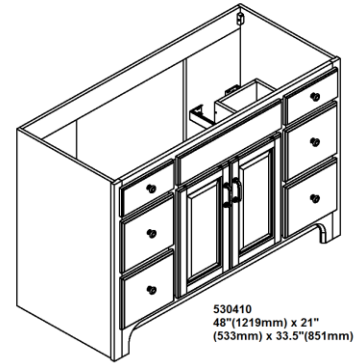
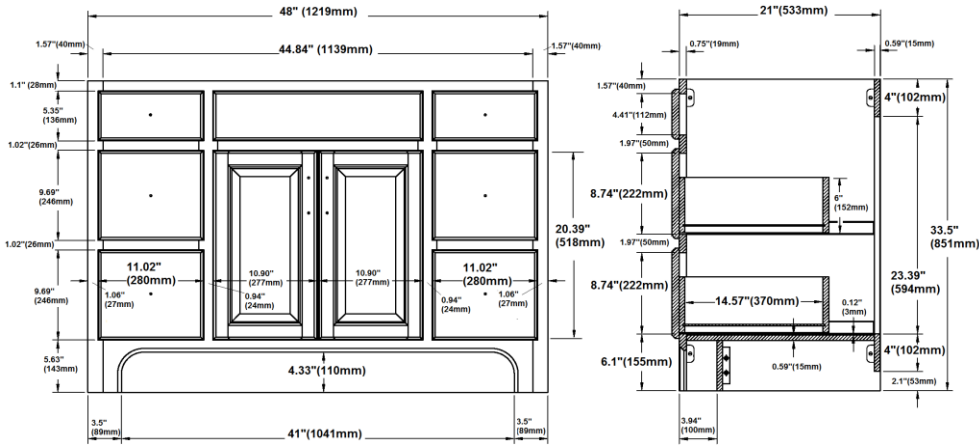


Specifications

- Cam-lock connectors for fast & easy assembly
- Raised panel doors featuring square design
- Solid oak door frames and front frame
- Full extension ball bearing drawer glides
- Antique brass hardware with TruMatch™ finish
- Durable water-resistant finish
- Vanity top sold separately
- Nutmeg Oak finish



Dimensions



Warranty & Compliances

Warranty Limited 1 year warranty
California 93120 Compliant



Order Codes & Finishes/Colors

48" w x 21" d x 33.5" h 530410
60" w x 21" d x 33.5" h 530436

Type:
Job:
Order Code:
Approvals: