

# Richland One Door Two Drawer Vanity

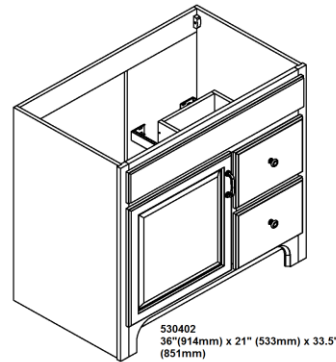
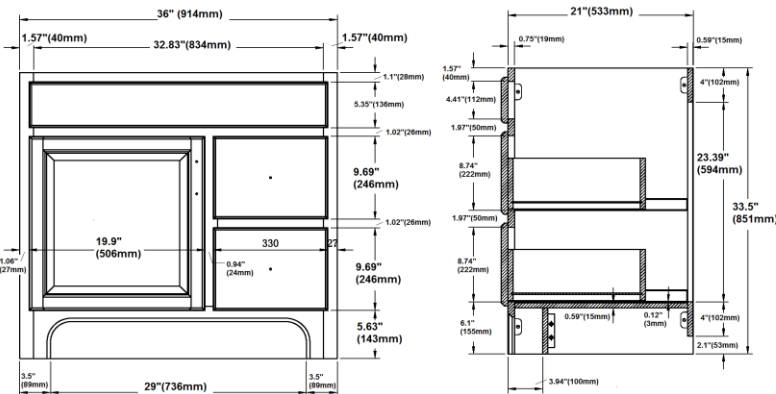
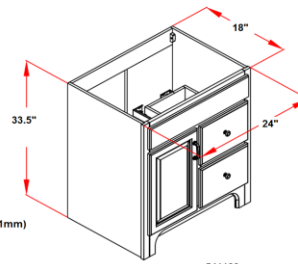
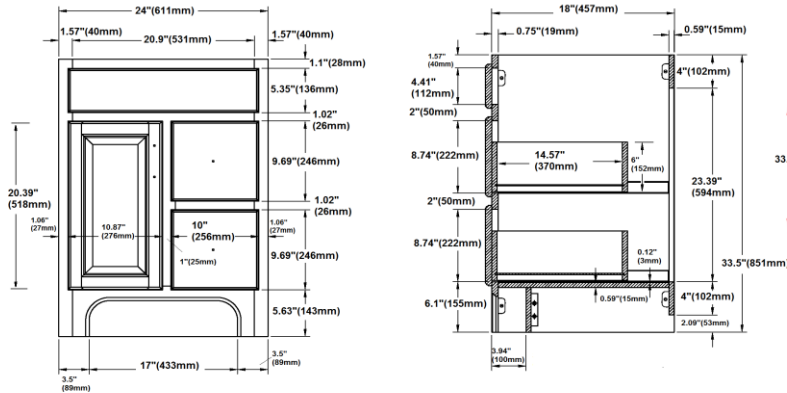
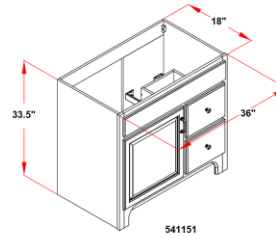
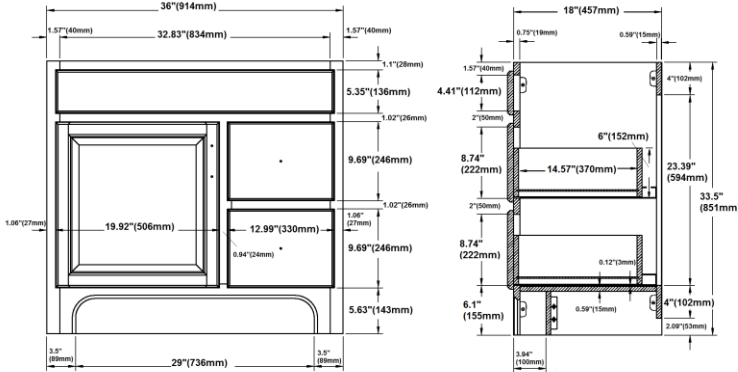


## Specifications

- Cam-lock connectors for fast & easy assembly
- Raised panel doors featuring square design
- Solid wood door frames and front frame
- MDF with oak veneer for fake drawer, drawer front and door centre
- Full extension ball bearing drawer glides
- Antique brass hardware with TruMatch™ finish
- Durable water-resistant finish
- California 93120 compliant
- Vanity top sold separately
- Nutmeg oak finish



## Dimensions



## Warranty & Compliances

Warranty Limited 1 year warranty  
California 93120 Compliant



## Order Codes & Finishes/Colors

24" w x 18" d x 33.5" h 541128  
36" w x 18" d x 33.5" h 541151  
36" w x 21" d x 33.5" h 530402

Type:  
Job:  
Order Code:  
Approvals: