

MILANO Kitchen Faucet with Internal Sprayer

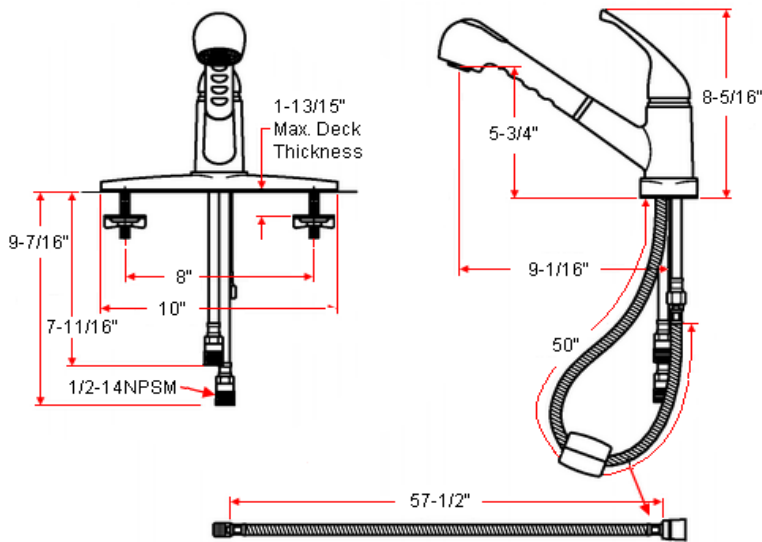


Specifications

Flow Rate (GPM)	2.11 GPM @ 60 psi
Material Content	Brass body with zinc handle
Pop-Up Drain	N/A
Spout Reach	9-1/16"
Cartridge	Stainless steel ball cartridge
Lever Handle Operation	(1/4) quarter turn stop
Installation Type	Single hole or 3-hole, 8" center mount
Sprayer	ABS internal sprayer (50" soft hose)



Dimensions



Warranty & Compliances

Warranty	Lifetime Limited Warranty
IAPMO/UPC	UPC & cUPC Compliant
ASME	ASME A112.18.1-05
ANSI	Compliant
ADA	Compliant
NSF	Compliant
CSA	CSA B125.1-05
Lead Free	Fed. Public Law 111-380 (1/2014)



Order Codes & Finishes/Colors

Satin Nickel (US15)	529404	
Polished Chrome (US26)	529610	
White	529784	

Type:

Job:

Order Code:

Approvals:

Design House reserves the right to make changes in materials, specifications & models at any time. Design House also reserves the right to discontinue product without notice or obligation.