

# MILLBRIDGE Triple Handle Tub & Shower Faucet

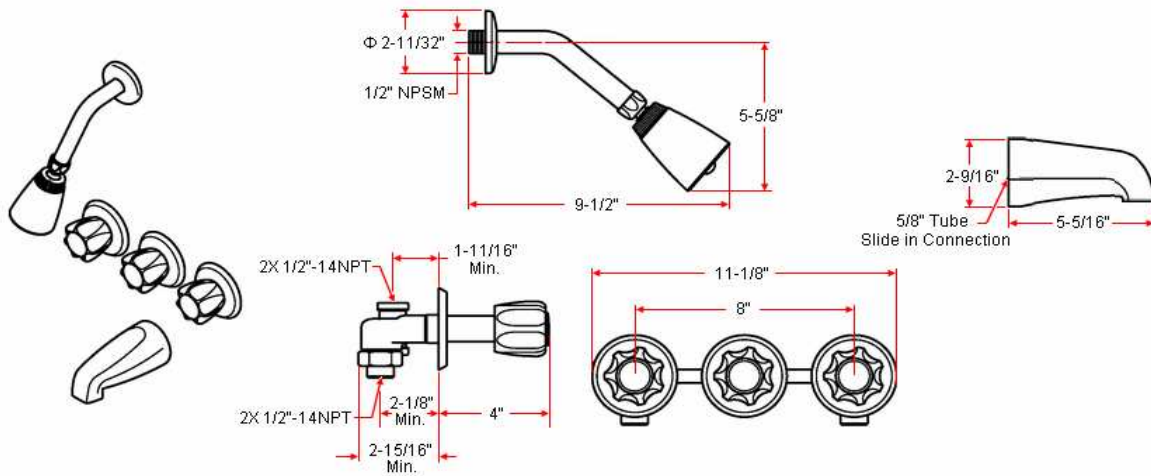


## Specifications

<b>Material Content</b>	Brass body with plastic handle and zinc spout
<b>Cartridge</b>	Washerless Cartridge
<b>Lever Handle Operation</b>	(1/4) quarter turn stop
<b>Spout</b>	No pull-up diverter spout



## Dimensions



## Warranty & Compliances

<b>Warranty</b>	Lifetime Limited Warranty
<b>IAPMO/UPC</b>	UPC & cUPC Compliant
<b>ASME</b>	ASME A112.18.1-05
<b>ANSI</b>	Compliant
<b>ADA</b>	non-compliant
<b>CSA</b>	CSA B125.1-05



## Order Codes & Finishes/Colors

Polished Chrome (US26)

529248



Type:

Job:

Order Code:

Approvals:

Design House reserves the right to make changes in materials, specifications & models at any time. Design House also reserves the right to discontinue product without notice or obligation.