

SARATOGA Tub & Shower Faucet

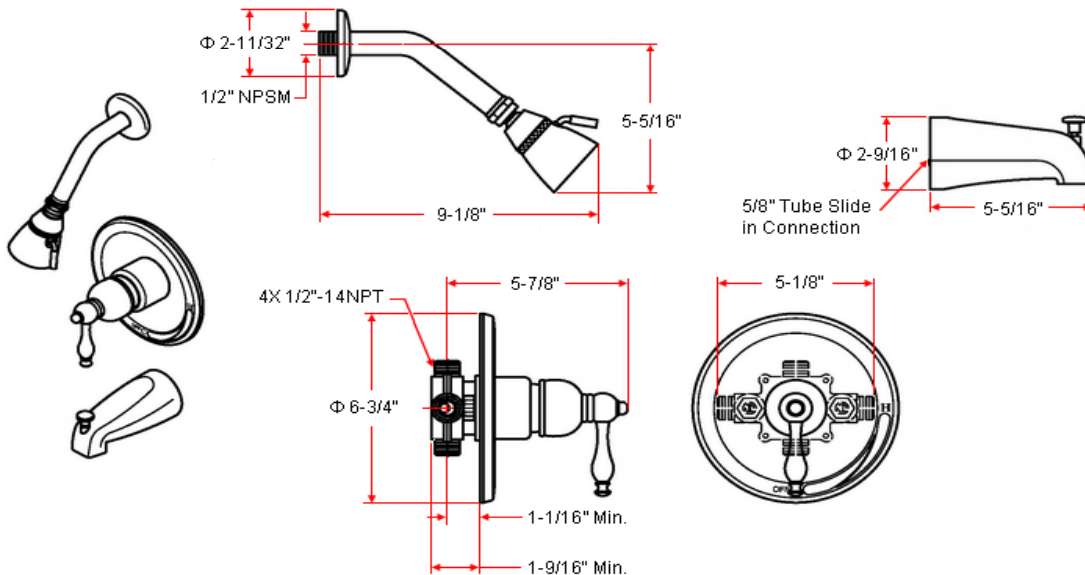


Specifications

| | |
|-------------------------------|--|
| Material Content | Brass body and handle with zinc spout |
| Cartridge | Ceramic Disc Cartridge; Pressure Balanced |
| Lever Handle Operation | (1/4) quarter turn stop |
| Spout | Pull-up diverter spout |
| Showerhead | Lever controls water flow from high to low |
| Max Waterflow | 2.1 GPM@ 80 PSI |



Dimensions



Warranty & Compliances

| | |
|------------------|---------------------------|
| Warranty | Lifetime Limited Warranty |
| IAPMO/UPC | UPC & cUPC Compliant |
| ASME | ASME A112.18.1-05 |
| ANSI | Compliant |
| ADA | Compliant |
| CSA | CSA B125.1-05 |



Order Codes & Finishes/Colors

| | | | |
|----------------------------------|--------|-------------------|-----------|
| Satin Nickel (US15) | 529230 | Pressure BALANCED | TRU MATCH |
| Oil Rubbed Bronze (US10B) | 527804 | Pressure BALANCED | TRU MATCH |
| Polished Chrome (US26) | 528075 | Pressure BALANCED | TRU MATCH |
| Brushed Bronze | 529172 | Pressure BALANCED | |

Type:

Job:

Order Code:

Approvals:

Design House reserves the right to make changes in materials, specifications & models at any time. Design House also reserves the right to discontinue product without notice or obligation.