

MILLBRIDGE Single Handle Lavatory Faucet

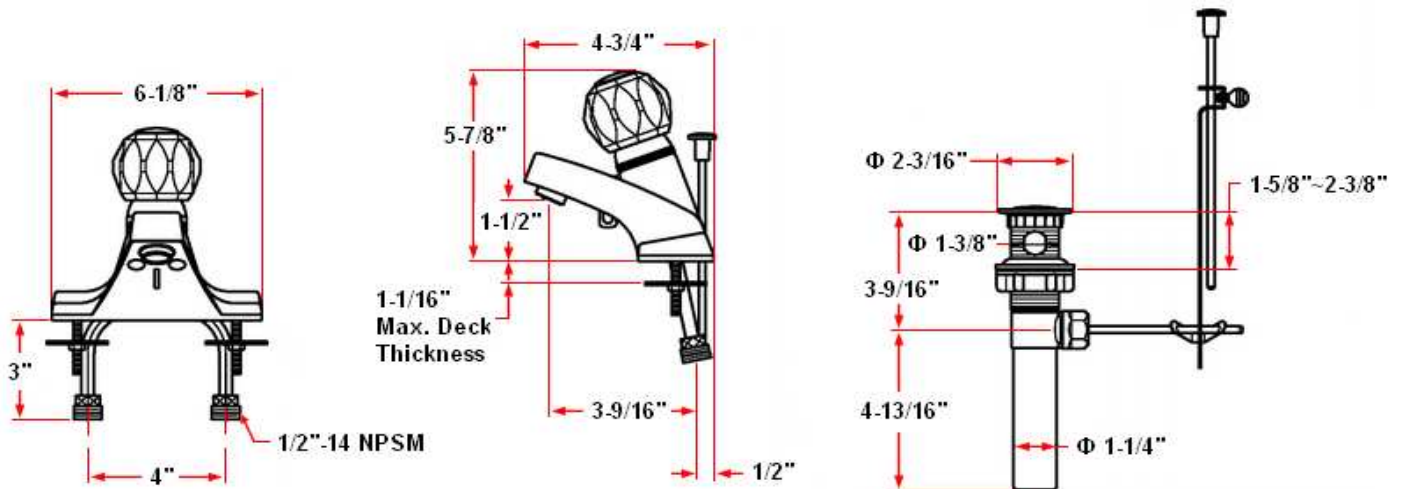


Specifications

Flow Rate (GPM)	1.88 GPM @ 60 psi
Material Content	Brass body with plastic handle
Pop-Up Drain	Plastic pop-up
Spout Reach	3-9/16"
Cartridge	Stainless steel ball (washerless)
Lever Handle Operation	Lever adjusts water temperature and on/off control
Installation Type	3-hole, 4" center mount



Dimensions



Warranty & Compliances

Warranty	Lifetime Limited Warranty
IAPMO/UPC	UPC & cUPC Compliant
ASME	ASME A112.18.1-05
ANSI	Compliant
ADA	non-compliant
NSF	Compliant
CSA	CSA B125.1-05



Order Codes & Finishes/Colors

Satin Nickel (US15)	528224	
Polished Chrome (US26)	529214	

Type:

Job:

Order Code:

Approvals:

Design House reserves the right to make changes in materials, specifications & models at any time. Design House also reserves the right to discontinue product without notice or obligation.