

# SARATOGA Tub & Shower Faucet

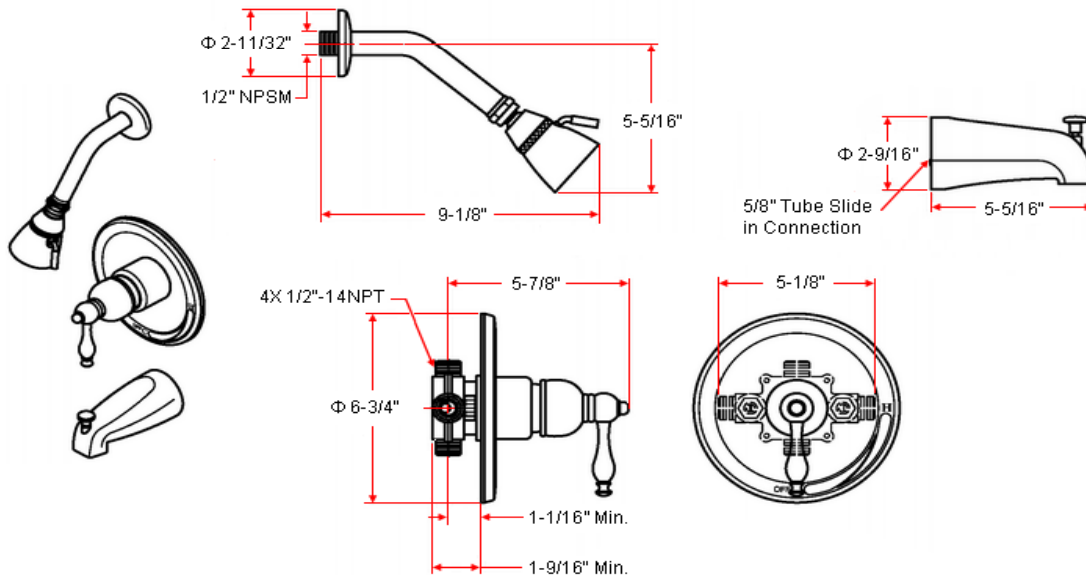


## Specifications

<b>Material Content</b>	Brass body and handle with zinc spout
<b>Cartridge</b>	Ceramic Disc Cartridge; Pressure Balanced
<b>Lever Handle Operation</b>	(1/4) quarter turn stop
<b>Spout</b>	Pull-up diverter spout
<b>Showerhead</b>	Lever controls water flow from high to low
<b>Max Waterflow</b>	2.1 GPM@ 80 PSI



## Dimensions



## Warranty & Compliances

<b>Warranty</b>	Lifetime Limited Warranty
<b>IAPMO/UPC</b>	UPC & cUPC Compliant
<b>ASME</b>	ASME A112.18.1-05
<b>ANSI</b>	Compliant
<b>ADA</b>	Compliant
<b>CSA</b>	CSA B125.1-05



## Order Codes & Finishes/Colors

<b>Satin Nickel (US15)</b>	529230		
<b>Oil Rubbed Bronze (US10B)</b>	527804		
<b>Polished Chrome (US26)</b>	528075		
<b>Brushed Bronze</b>	529172		

Type:  
Job:  
Order Code:  
Approvals:

Design House reserves the right to make changes in materials, specifications & models at any time. Design House also reserves the right to discontinue product without notice or obligation.