

IRONWOOD Kitchen Faucet

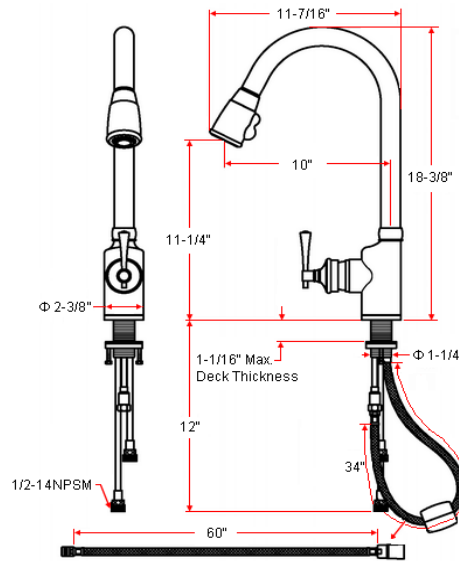


Specifications

Flow Rate (GPM)	2.11 GPM @ 60 psi
Material Content	Brass body with brass handle
Pop-Up Drain	N/A
Spout Reach	10"
Cartridge	Ceramic disk
Lever Handle Operation	(1/4) quarter turn stop
Installation Type	Single hole mount
Sprayer	Integrated ABS pull-out sprayer (60" soft hose)



Dimensions



Warranty & Compliances

Warranty	Lifetime Limited Warranty
IAPMO/UPC	UPC & cUPC Compliant
ASME	ASME A112.18.1-05
ANSI	Compliant
ADA	Compliant
NSF	Compliant
CSA	CSA B125.1-05
Lead Free	Fed. Public Law 111-380 (1/2014)



Order Codes & Finishes/Colors

Satin Nickel (US15)	528489
Statuary Bronze	528430



Type:

Job:

Order Code:

Approvals:

Design House reserves the right to make changes in materials, specifications & models at any time. Design House also reserves the right to discontinue product without notice or obligation.