

Dunhill Roman Tub Faucet

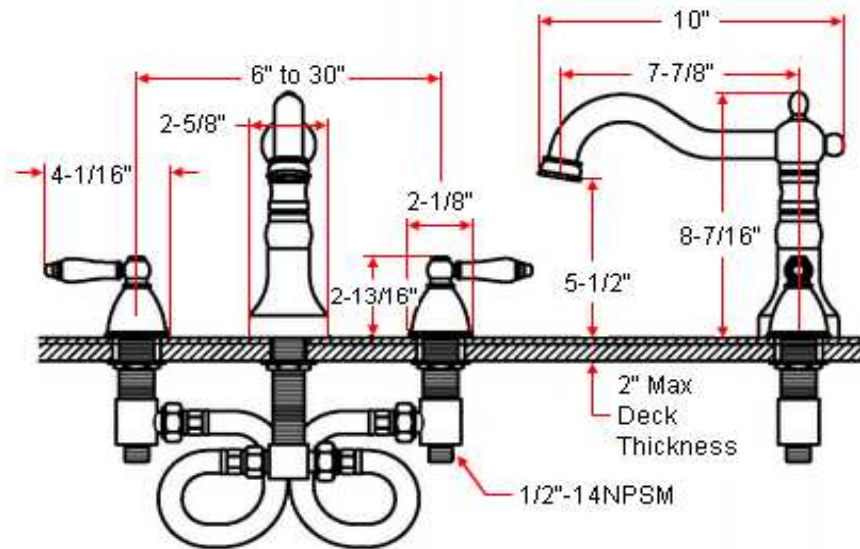


Specifications

Flow Rate (GPM)	9.48 GPM @ 20 psi
Material Content	Brass body with brass and zinc handle
Spout dimensions	7-7/8"
Cartridge	Ceramic disk Cartridge
Hand held sprayer	Not included
Lever handle operation	1/4 quarter turn stop
Installation Type	3-hole, 8-16" variable width base



Dimensions



Warranty & Compliances

Warranty	Lifetime Limited Warranty
IAPMO/ cUPC	UPC & CUPC Compliant
ASME	ASME A112.18.1-05
ANSI	ANSI Compliant
ADA	Compliant
CSA	CSA B125.1-05



Order Codes & Finishes/Colors

Satin Nickel (US15)	528323	
Oil Rubbed Bronze (US10B)	528331	
Polished Chrome (US26)	528315	
Brushed Bronze	528349	

Type:
Job:
Order Code:
Approvals:

Design House reserves the right to make changes in materials, specifications & models at any time. Design House also reserves the right to discontinue product without notice or obligation.