

Dunhill 2 Handle Tub & Shower

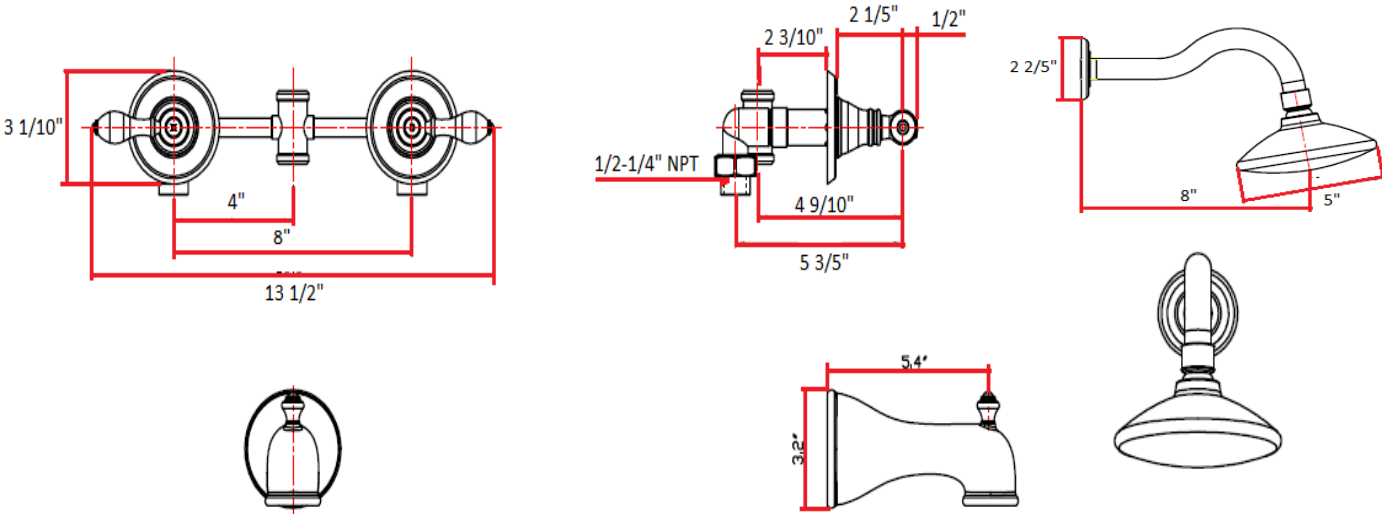


Specifications

| | |
|------------------------------|------------------------------------|
| Flow Rate (GPM) | 2.5 GPM @ 80PSI |
| Material Content | two handle, 1 function shower head |
| Pressure balancing cartridge | Washerless |
| Lever handle operation | (1/4) quarter turn stop |



Dimensions



Warranty & Compliances

| | |
|----------|---------------------------|
| Warranty | Lifetime limited warranty |
| ASME | ASME A112. 18. 1-05 |
| ANSI | Compliant |
| ADA | Compliant |



Order Codes & Finishes/Colors

| | | |
|-------------------|--------|--|
| Satin Nickel | 525220 | |
| Polished Chrome | 525212 | |
| Oil Rubbed Bronze | 525238 | |

Type:

Job:

Order Code:

Approvals: