

Dunhill 2 Handle Tub & Shower

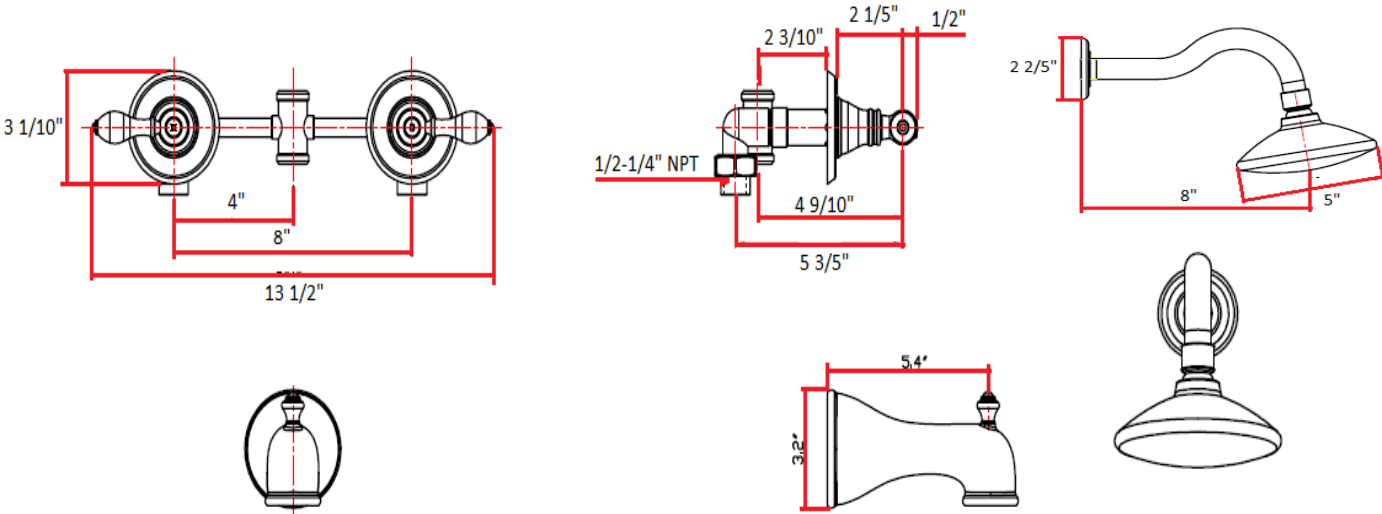


Specifications

Flow Rate (GPM)	2.5 GPM @ 80PSI
Material Content	two handle, 1 function shower head
Pressure balancing cartridge	Washerless
Lever handle operation	(1/4) quarter turn stop



Dimensions



Warranty & Compliances

Warranty	Lifetime limited warranty
ASME	ASME A112. 18. 1-05
ANSI	Compliant
ADA	Compliant



Order Codes & Finishes/Colors

Satin Nickel	525220	
Polished Chrome	525212	
Oil Rubbed Bronze	525238	

Type:

Job:

Order Code:

Approvals: