

Geneva Lavatory Vessel Faucet

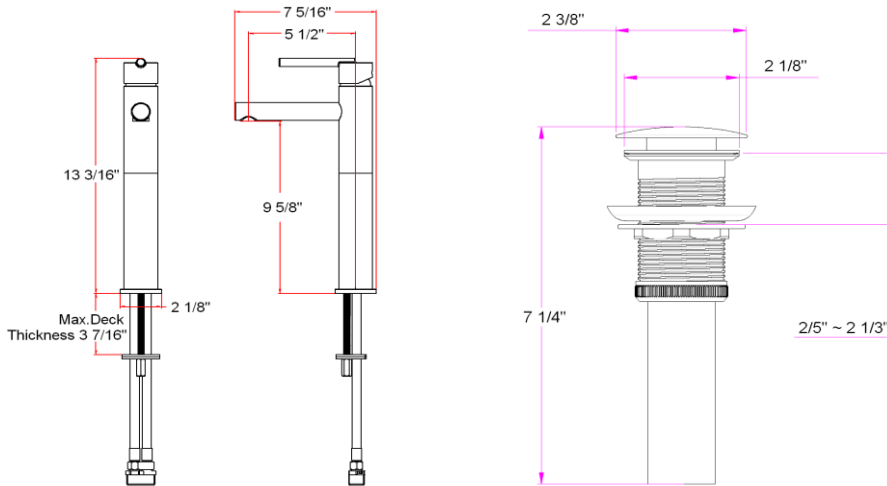


Specifications

| | |
|-------------------------------|--|
| Flow Rate (GPM) | 1.3GPM @ 60 psi |
| Material Content | AB1953 platform hybrid body with zinc handle |
| Pop-Up Drain | Brass pop-up |
| Spout Reach | 3-3/4" |
| Cartridge | Ceramic disk |
| Lever Handle Operation | (1/4) quarter turn stop |
| Installation Type | Single hole, center mount |



Dimensions



Warranty & Compliances

| | |
|-------------------|----------------------------|
| Warranty | Lifetime Limited Warranty |
| IAPMO/UPC | UPC & cUPC Compliant |
| ASME | ASME A112.18.1-05 |
| ANSI | Compliant |
| ADA | Compliant |
| NSF | Compliant |
| Lead Free | Fed. P.L. 111-380 (1/2014) |
| Watersense | Compliant |



Order Codes & Finishes/Colors

| | | |
|-------------------------------|--------|--|
| Satin Nickel (US15) | 525576 | |
| Polished Chrome (US26) | 525568 | |

Type:

Job:

Order Code:

Approvals:

Design House reserves the right to make changes in materials, specifications & models at any time. Design House also reserves the right to discontinue product without notice or obligation.