

Shower Escutcheon Plate Kit

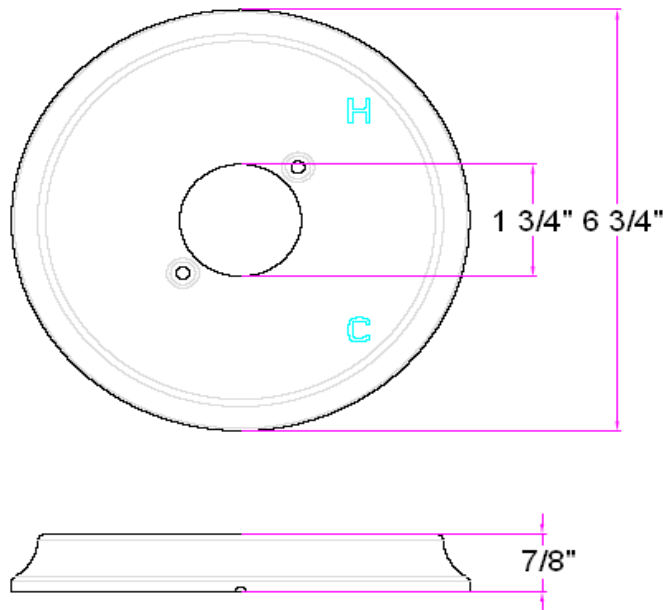


Specifications

Material Brass
Components Plate, 2 color matching screws, foam gasket



Dimensions



Warranty & Compliances

Warranty Lifetime Limited Warranty



Order Codes & Finishes/Colors

Satin Nickel (US15)	522771
Oil Rubbed Bronze (US10B)	522789
Polished Chrome (US26)	522797



Type:
Job:
Order Code:
Approvals: