

# KIMBALL 1LT Wall Mount

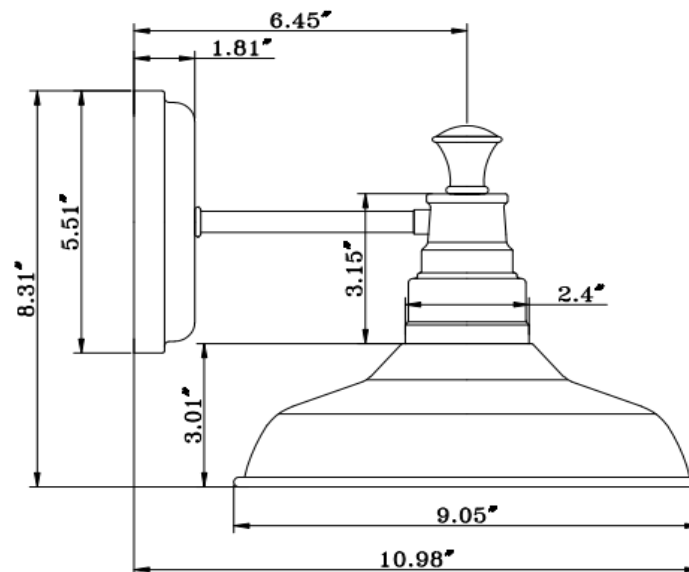


## Specifications

<b>Material Construction:</b>	Formed Steel
<b>Lens:</b>	Metal shade
<b>Lens Dimensions:</b>	6 1/8" H x 11" Dia
<b>Lamp Type &amp; Wattage:</b>	One 60W, medium base incandescent lamps (or equivalent)
<b>Mounting:</b>	Wall mounted
<b>Finish:</b>	Textured Coffee Bronze finish
<b>Voltage:</b>	120V
<b>Weight:</b>	1.54 lbs
<b>Companion Fixtures:</b>	Wall mounts, vanity, pendants, semi flush mounts



## Dimensions



## Warranty & Compliances

<b>Warranty</b>	10 Year Limited Warranty
<b>UL</b>	ETL/cETL listed, suitable for damp locations
<b>ADA</b>	N/A
<b>EnergyStar</b>	N/A



Intertek

## Companion Fixtures

<b>KIMBALL 1LT Wall Mount Textured Coffee Bronze</b>	519900
<b>KIMBALL 1LT Wall Mount Galvanized</b>	519892

Type:  
Job:  
Order Code:  
Approvals:

Design House reserves the right to make changes in materials, specifications & models at any time. Design House also reserves the right to discontinue product without notice or obligation.