

13" Liberty 1LT ES Ceiling Mount SN

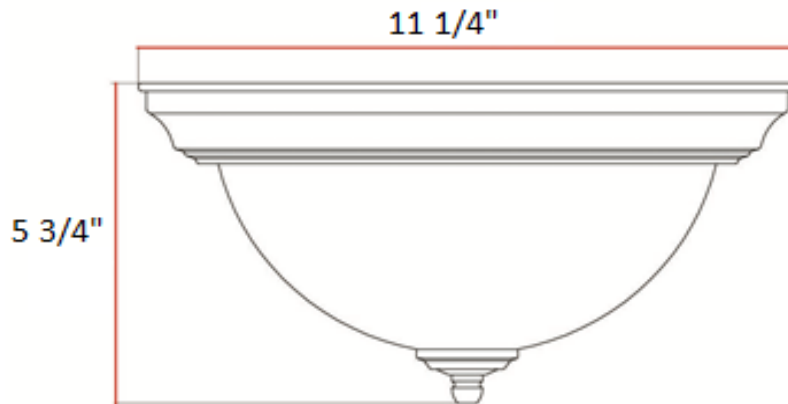


Specifications

Material Construction:	Formed Steel
Lens:	Alabaster Glass
Lamp Type & Wattage:	One 13W, GU24 base fluorescent lamp
Mounting:	Ceiling Mounted
Finish:	Satin Nickel
Voltage:	120V
Weight:	3.43 lbs.



Dimensions



Warranty & Compliances

Warranty	10 Year Limited Warranty
UL	UL Listed; Suitable for damp locations
ADA	
EnergyStar	EnergyStar Qualified



Order Codes

13" 1 LT Liberty ES Ceiling Mount
Satin Nickel

519595



Type:

Job:

Order Code:

Approvals: