

BARCELONA Pendant

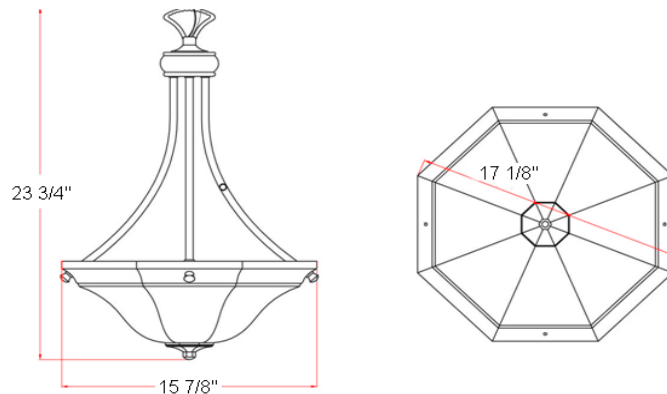


Specifications

Material Construction:	Formed Steel
Lens:	Frosted glass
Lamp Type & Wattage:	Three 60W, medium base incandescent lamps
Mounting:	Ceiling mounted
Finish:	Satin Nickel (US15)
Voltage:	120V
Weight:	11.55 lbs
Companion Fixtures:	Chandeliers, wall/vanity lights, ceiling mounts, pendants



Dimensions



Warranty & Compliances

Warranty	10 Year Limited Warranty
UL	UL/cUL; Suitable for damp locations
ADA	N/A
EnergyStar	N/A



Companion Fixtures

Pendant	517961	
1 LT Wall Mount	517912	
2 LT Wall Mount	517920	
3 LT Vanity Light	517938	
4 LT Vanity Light	517946	
2 LT Ceiling Mount	517953	
3 LT Chandelier Down	517979	
3 LT Chandelier Up	517995	
5 LT Chandelier	517987	
Mini Pendant	518001	

Type:

Job:

Order Code:

Approvals:

Design House reserves the right to make changes in materials, specifications & models at any time. Design House also reserves the right to discontinue product without notice or obligation.