

# BARCELONA 2 LT Wall Mount

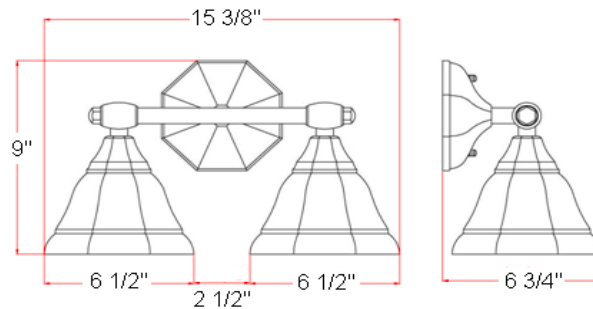


## Specifications

<b>Material Construction:</b>	Formed Steel
<b>Lens:</b>	Frosted glass
<b>Lamp Type &amp; Wattage:</b>	Two 60W, medium base incandescent lamps
<b>Mounting:</b>	Wall mounted; Suitable for up/down mounting
<b>Finish:</b>	Satin Nickel (US15)
<b>Voltage:</b>	120V
<b>Weight:</b>	4.42 lbs
<b>Companion Fixtures:</b>	Chandeliers, wall/vanity lights, ceiling mounts, pendants



## Dimensions



## Warranty & Compliances

<b>Warranty</b>	10 Year Limited Warranty
<b>UL</b>	UL/cUL; Suitable for damp locations
<b>ADA</b>	N/A
<b>EnergyStar</b>	N/A



## Companion Fixtures

<b>2 LT Wall Mount</b>	517920	
<b>1 LT Wall Mount</b>	517912	
<b>3 LT Vanity Light</b>	517938	
<b>4 LT Vanity Light</b>	517946	
<b>2 LT Ceiling Mount</b>	517953	
<b>3 LT Chandelier Down</b>	517979	
<b>3 LT Chandelier Up</b>	517995	
<b>5 LT Chandelier</b>	517987	
<b>Pendant</b>	517961	
<b>Mini Pendant</b>	518001	

**Type:**

**Job:**

**Order Code:**

**Approvals:**

Design House reserves the right to make changes in materials, specifications & models at any time. Design House also reserves the right to discontinue product without notice or obligation.