

# Trevie Outdoor Wall Mount SN

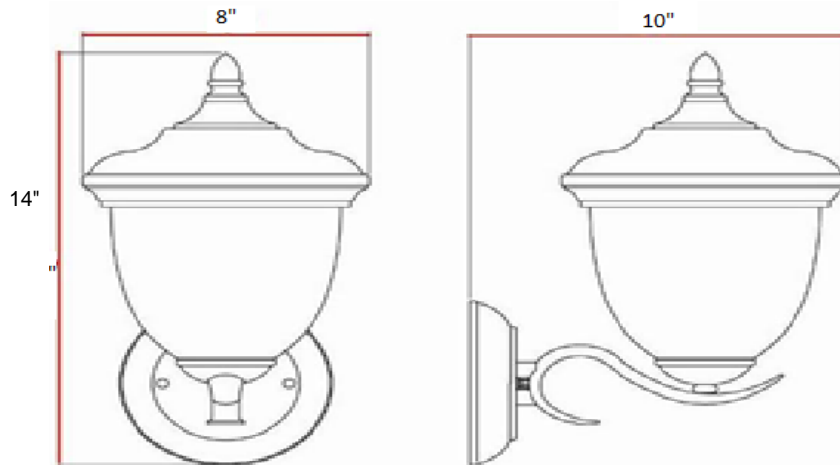


## Specifications

<b>Material Construction:</b>	Formed Steel
<b>Lens:</b>	Frosted and White Painted Inside Glass
<b>Lamp Type &amp; Wattage:</b>	Uses 1 60W Medium Based Incandescent Bulb
<b>Mounting:</b>	Wall Mounted
<b>Finish:</b>	Satin Nickel
<b>Voltage:</b>	120V
<b>Weight:</b>	4.99 lbs.



## Dimensions



## Warranty & Compliances

<b>Warranty</b>	10 Year Limited Warranty
<b>UL</b>	UL/cUL; Suitable for wet locations
<b>ADA</b>	N/A
<b>EnergyStar</b>	N/A



## Companion Fixtures

Trevie Outdoor Wall Mount                      517789  
Satin Nickel

<b>Type:</b>
<b>Job:</b>
<b>Order Code:</b>
<b>Approvals:</b>

Design House reserves the right to make changes in materials, specifications & models at any time. Design House also reserves the right to discontinue product without notice or obligation.