

DARBY Rail Light

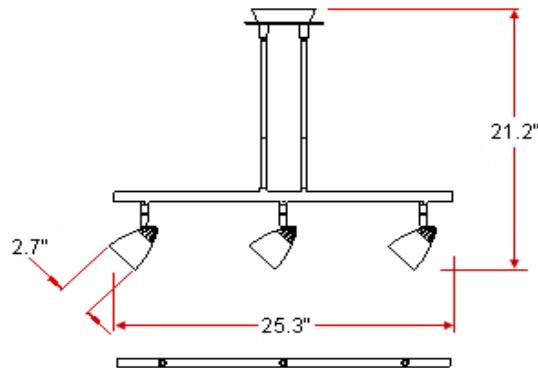


Specifications

Material Construction:	Formed Steel
Lens:	Tiger eye glass
Lamp Type & Wattage:	Three 50W, GU10-base; MR16 halogen lamps
Mounting:	Ceiling mounted
Finish:	Oil Rubbed Bronze (US10B)
Voltage:	120V
Weight:	2.95 lbs



Dimensions



Warranty & Compliances

Warranty	10 Year Limited Warranty
UL	UL/cUL
ADA	N/A
EnergyStar	N/A



Order Codes

Oil Rubbed Bronze (US10B)

517177



Type:

Job:

Order Code:

Approvals:

Design House reserves the right to make changes in materials, specifications & models at any time. Design House also reserves the right to discontinue product without notice or obligation.